



FIRE INSPIRED®

## Small Tank LP Kit (STLPK)

### Installation & Operation Instructions

For use with select HPC  
Fire Pits ONLY- refer to  
product catalog or website.  
100K BTU Maximum

**WARNING: FOR  
OUTDOOR USE ONLY**



#### Installation

We suggest that our products be installed by professionals that are locally licensed by the authority having jurisdiction in gas piping.

#### Service



We suggest that our products be serviced by a professional certified in the US by the National Fireplace Institute (NFI) as NFI Gas Specialists.

#### **WARNING**

•Improper installation, adjustment, alteration, service, or maintenance can cause injury or property damage. Read the installation, operating, and maintenance instructions thoroughly before installing or servicing this equipment.

#### **WARNING**

•Do not store or use gasoline or other flammable vapors and liquids in vicinity of this or any other appliance.  
•An LP-cylinder not connected for use shall not be stored in the vicinity of this or any other appliance.

#### **DANGER**

If you smell gas:

- 1) Shut off gas to appliance.
- 2) Extinguish any open flame.
- 3) If odor continues, keep away from appliance and immediately call gas supplier or fire department.

#### **WARNING**

- Cylinders must be stored outdoors in a well ventilated area out of the reach of children.
- This appliance can only be stored indoors if it has been disconnected from its fuel supply.
- Before each use, inspect the fuel supply connections for leakage.
- Only the pressure regulator and hose assembly supplied with LP models is to be used.
- The LP gas supply cylinder used with LP models must be constructed and marked in accordance with the specifications for LP gas cylinders as required by DOT.
- When an LP model is not in use, the LP gas must be turned off at the supply cylinder.
- The LP gas cylinder used must include a collar to protect the cylinder valve.

## Index:

- 1) Parts List
- 2) General Information
- 3) Construction of LP Tank Enclosure
- 4) Warranty
- 5) Connecting kit to fire pit

**INSTALLER: Leave this manual with the appliance.**  
**CONSUMER: Retain this manual for future reference.**

## 1. Parts List

- STLPK Hose Assembly
- L-bracket for LP tank
- Installation and Operation Instructions

## 2. General Information

Instructions are also available at [hpcfire.com](http://hpcfire.com)

- Please carefully follow the instructions in this manual to prevent personal injury or property loss. Instructions are updated as needed. It is the installer's responsibility to periodically review instruction for applicable updates. These instructions contain information critical to the safe installation and operation of the fire pit.
- To qualify for warranty, instructions must be strictly followed. Warranty may be void if not followed. Never alter product or configuration in any way.
- **IMPORTANT:** It is the installer's responsibility to ensure a safe installation and to educate the end user as to proper operation. Leave this manual with the end user.
- We suggest that our products be installed by professionals that are locally licensed by the authority having jurisdiction in gas piping. We suggest that our products be serviced annually by a professional certified in the US by the National Fireplace Institute (NFI) as NFI Gas Specialists or in Canada by WETT (Wood Energy Technical Training). Installer must follow all instructions carefully to ensure proper performance and safety. Hearth Products Controls Company is not responsible for your actions.
- It is the responsibility of the installer to follow:
  - The *National Fuel Gas Code, ANSI Z223.1/NFPA 54* or *International Fuel Gas Code*.
  - Local Codes
- Only use gas/fuel type specified for fire pit refer to label on the fire pit control box. Never use an alternative fuel to include bio-fuel, ethanol, lighter fluid or any other fuel. Gas pressure and type should be checked prior to use and installation.
  - **LP Gas:**  
Supply Pressure: Minimum: 8.0" W.C.; Maximum: 11.0" W.C.  
BTU Maximum – Fire Pit: 100K BTU

## 3. Warranty

### Limited Warranty

Hearth Products Controls Company (HPC) warranties fire pits against manufacturing defects that prevent safe and correct function as follows:

- **STLPK Assembly – 2 yrs.**

This commences from the date of original sale / shipment from HPC FOB Dayton, Ohio.

This warranty is for parts and in-house (HPC) labor. The defective product must be sent back to HPC with a Return Merchandise Authorization (RMA) issued by HPC for that specific product and any other additional information for the nature of the defect or warranty claim.

The warranty does not cover items that have been damaged by overheating, modification, abuse, or improper storage. Also any labor involving installation or maintenance with the unit is not covered.

This warranty excludes claims for consequential, indirect-collateral expenses arising from product defects or warranty recovery.

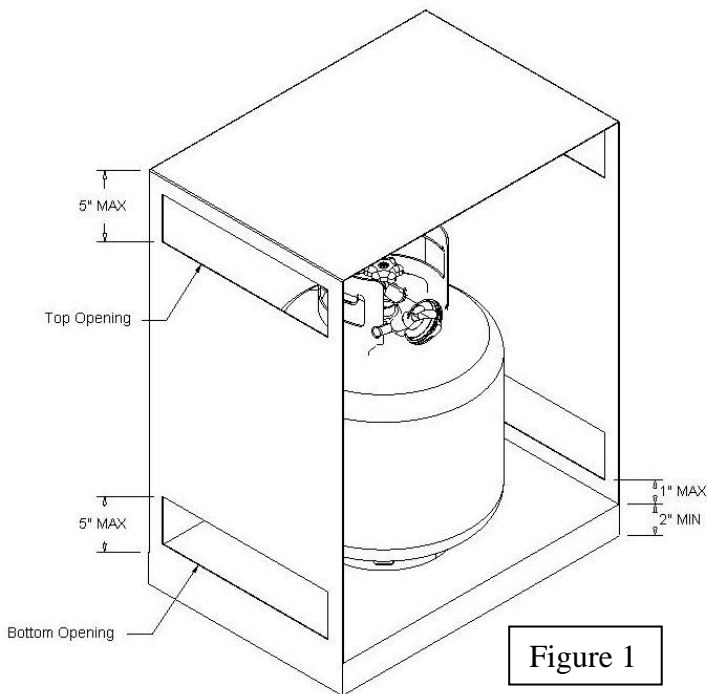
## 4. Construction of the Remote LP Tank System Enclosure

**IMPORTANT:** Only select models of Push Button / Match Lit (FPPK and MLFPK) fire pits are permissible for small tank use- please see HPC Product catalog, visit [www.hpcfire.com](http://www.hpcfire.com) or contact your HPC Dealer for details.

**IMPORTANT:** Locate the hose out of pathways where people may trip over it or in areas where the hose may be subject to accidental damage.

For an enclosure using an LP tank system, follow these recommended specifications:

- You must follow local codes.
- **IMPORTANT:** The remote LP Tank / Enclosure should be a minimum of 54" from the fire pit.
- One side of the enclosure shall be completely open; OR
- For an enclosure having four sides, a top, and a bottom:
  - At least two ventilation openings shall be provided in the side walls of the enclosure, located within 5 in (127mm) of the top of the enclosure, equally sized, spaced at a minimum of 180 degrees, and unobstructed. The opening(s) shall have a total free area of not less than 1 in<sup>2</sup>/lb (14.2 cm<sup>2</sup>/kg). See Figure 1.
  - Ventilation opening(s) shall be provided at floor level of the enclosure and shall have a total free area of not less than ½ in<sup>2</sup>/lb (7.1 cm<sup>2</sup>/kg) of stored fuel capacity. If ventilation openings at floor level are in a side wall, there shall be at least two openings. The bottom of the openings shall be 1 in (25.4mm) or less from the floor level and the upper edge no more than 5 in (127mm) above the floor level. The openings shall be equally sized, spaced at a minimum of 180 degrees and unobstructed. See Figure 1.
- Every opening shall have minimum dimensions so as to permit the entrance of a 1/8 in (3.2mm) diameter rod.
- Ventilation openings in sidewalls shall not communicate directly with other enclosures of the appliance.



| LP Tank Size    | Top Opening                               | Bottom Opening                            |
|-----------------|---|---|
| 20 LB (9.1 KG)  | 20 in <sup>2</sup> (130 cm <sup>2</sup> ) | 10 in <sup>2</sup> (65 cm <sup>2</sup> )  |
| 30 LB (13.6 KG) | 30 in <sup>2</sup> (195 cm <sup>2</sup> ) | 15 in <sup>2</sup> (100 cm <sup>2</sup> ) |

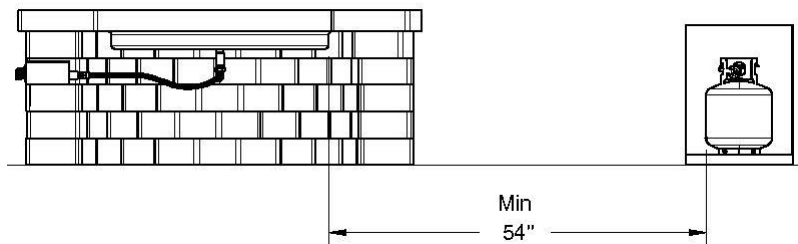
| LP Tank Enclosure Specifications                          |
|---|
| 2 Openings for each top and bottom - 180° apart           |
| From LP tank base to bottom of opening - Max. 1" (25.4mm) |
| From floor to base of LP tank - Min. 2" (50.8mm)          |

- The cylinder valve shall be readily accessible for hand operation. A door on the enclosure to gain access to the cylinder valves is acceptable, provided it is non-locking and can be opened without the use of tools. Designs using a cover to gain access to the cylinder and cylinder valve shall be provided with handles or equivalent at a minimum of 180 degrees apart to facilitate lifting of the cover.
- The enclosure for the LP-gas cylinder shall isolate the cylinder from the burner compartment to provide:
  - Shielding from radiation;
  - A flame barrier; and
  - Protection from foreign material.
- There shall be a minimum clearance of 2 in (50.8mm) between the floor of the non-disposable LP-gas cylinder enclosure and the ground.
- The design of the enclosure shall be such that:
  - A non-disposable LP-gas cylinder can be connected, disconnected, and the connections inspected and tested outside the cylinder enclosure; and
  - Those connections which could be disturbed when installing the cylinder in the enclosure can be leak tested inside the enclosure.

## Propane Cylinder:

- A worn cylinder may be hazardous and should be checked by your propane supplier. Never use a cylinder with a damaged valve. Use only a propane supply cylinder constructed and marked in accordance with the specifications for LP gas cylinders of the National Standard of Canada, CAN/CSA B339, Cylinders, Spheres and Tubes for Transportation of Dangerous Goods; and Commission, as applicable or the Specifications for LP-Gas Cylinders of the U.S. Department of Transportation (D.O.T.). This appliance has been designed for use with a 20lb or 30lb size propane cylinder only (not supplied).
- The propane cylinder must be provided with a cylinder connection device compatible with the connection for outdoor appliances. The propane cylinder must be provided with a shut-off valve terminating in a propane cylinder valve type QCC1, and a safety relief device having direct communication with the vapor space of the cylinder. The cylinder supply system must be arranged for vapor withdrawal and the cylinder shall include a collar to protect the cylinder valve. The cylinder shall incorporate listed OPD (overfill protection device). Do not store a spare LP-gas cylinder under or near this appliance. Never fill the cylinder beyond 80 percent full.
- Use only the pressure regulator and hose assembly provided with this appliance. Replacement pressure regulators and hose assemblies must be specified by the manufacturer. The regulator supplies a pressure of 11 inches water column to the appliance and has a QCC1 type fitting. Cylinders to be used with this unit must be supplied with a QCC1 cylinder valve. A QCC1 cylinder has a positive seating connection, which will not allow gas to flow until a positive seal has been achieved. It is also equipped with an excess flow device. In order to attain full flow to the appliance, the valve must be in the off position when the cylinder valve is turned on.

## Locating the LP tank:



**WARNING:** Failure to follow location and mounting guidelines for the LP tank could result in serious injury.

### WARNING:

- Locate the LP Tank and enclosure out of pathways where people may trip over it or in areas where the LP tank enclosure may be subject to accidental damage.
- Locate the hose out of pathways where people may trip over it or in areas where the hose may be subject to accidental damage.

## Securing the LP tank:

1. Fasten the L-bracket to the bottom of the propane tank using the nut and bolt supplied. Ensure the nut is tight and will not loosen.
2. Select location for the propane tank following the guidelines above and screw the bracket to the mounting surface. For concrete surface, use a concrete anchor (not supplied). Ensure that screw is tight so that the cylinder cannot move.

### WARNING:

- Always ensure L-bracket is securely fastened to avoid tipping of LP tank.

## Cylinder Connection:

Ensure the gas regulator has no kinks and is smooth. Remove the cap or plug from the cylinder fuel valve. Insert the black QCC1 regulator nipple onto the QCC1 fuel valve and tighten until snug. Do not use tools. Leak test all joints prior to using the gas appliance. A leak test must be performed annually and each time a cylinder is hooked up or if a part of the gas system is replaced.

Follow the instructions for natural gas hook-up if the appliance is to be connected directly to a house propane gas supply line.

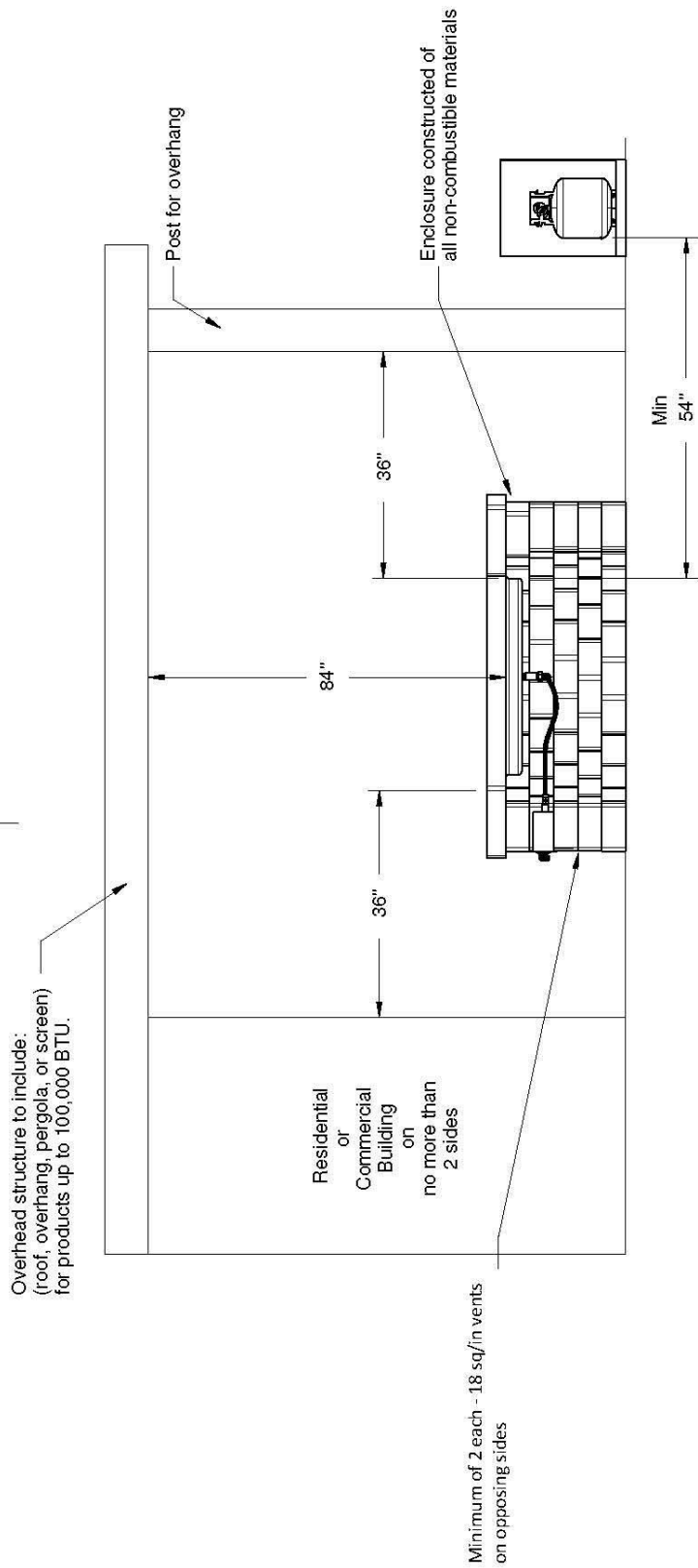
## 5. Connecting kit to fire pit

1. Utilizing fitting connected to flex line, thread the NPT side to your fire pit with the use of approved thread sealant for gas.
2. Connect flex line to flare side of fitting that is now attached to your fire pit. (Do not use any thread sealant on flare threads.)
3. Ensure that connection to flare fitting is tight.
4. After installing your fire pit into your enclosure, run your STLPK hose to your LP tank.
5. Connect tank adapter (QCC1-quick connect) to your LP tank.
6. Ensure fire pit is turned off.
7. When all connections are assembled, slowly open the valve on your LP tank.
8. Check for any leaks using gas leak detector or soapy water.

**IMPORTANT:** The propane cylinder is equipped with an excess flow device. If LP tank valve is opened quickly or fire pit is on before opening the tank valve, this may cause excess flow valve on the tank to close resulting in low flame height. Turn off fire pit and disconnect tank adapter (QCC1) and repeat connection steps.

**Figure 1 - up to 100,000 BTU : LP Tank  
For Outdoor Use Only - Select models only**

| REVISIONS |     |             |      |          |
|-----------|-----|-------------|------|----------|
| ZONE      | REV | DESCRIPTION | DATE | APPROVED |
|           |     |             |      |          |



Overhead structure to include:  
(roof, overhang, pergola, or screen)  
for products up to 100,000 BTU.

Residential  
or  
Commercial  
Building  
on  
no more than  
2 sides

Minimum of 2 each - 18 sq/in vents  
on opposing sides

Ceilings shaped like a gazebo must have a minimum of 150 square inches of roof vent to allow heat to escape.

For wall or ceiling screen 50% free air space is recommended. HPC is not responsible for screen that melts.

|  |          |           |   |
|--|----------|-----------|---|
| Diagram illustrates common clearance questions.<br>* Clearance from overhead structure<br>* Clearance from structure/combustible<br>* Deck installation<br><br>All items may or may not apply to your project.<br><br>Clearance's apply to any and all sides of the project.<br><br>Read and follow all instructions and local codes | DRAWN    | DATE      | Clearances - Fire Pit up to 100K BTU's for LP Tank<br><br><br><b>Hearth Products Controls Co</b><br>FSCM NO.      DWG. NO.      REV |
|  | CHECKED  | 2/27/2017 |   |
|  | QA       |           | SIZE  |
|  | MFG      |           | <b>A</b>  |
|  | APPROVED |           | SCALE   |
|  |          |           | SHEET   |