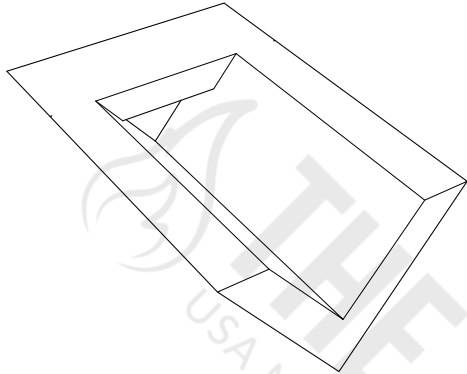
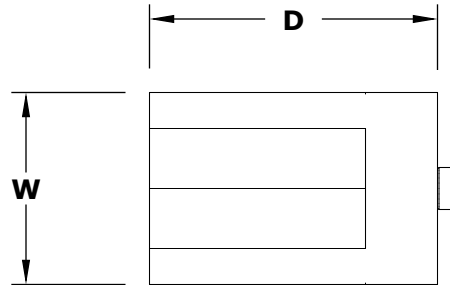


V-SHAPE STYLE SCUPPER

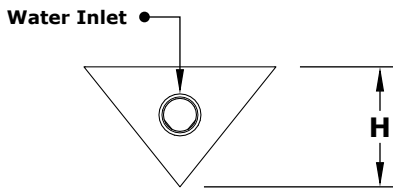
STAINLESS STEEL / COPPER



ISOMETRIC VIEW



TOP VIEW



RIGHT SIDE VIEW



FRONT SIDE VIEW

PART NUMBER	W	H	D	Inlets
OPT-WS6	6"	5"	12"	1 Inlet
OPT-WS8	8"	5"	12"	1 Inlet
OPT-WS10	10"	5"	12"	1 Inlet
OPT-WS12	12"	5"	12"	1 Inlet

Scupper Material: 316 Stainless Steel / Copper

Drawn By	Murguia M.
Date Created	August 6, 2021