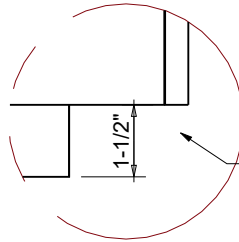
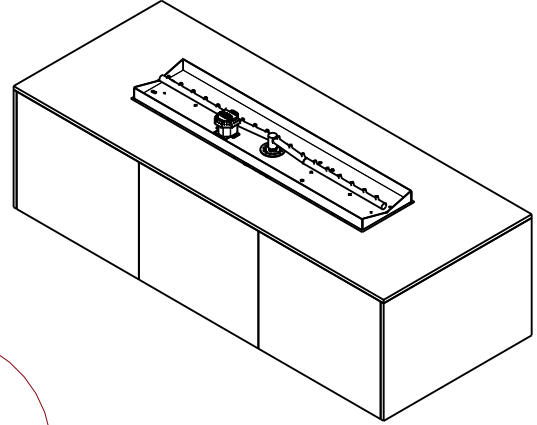
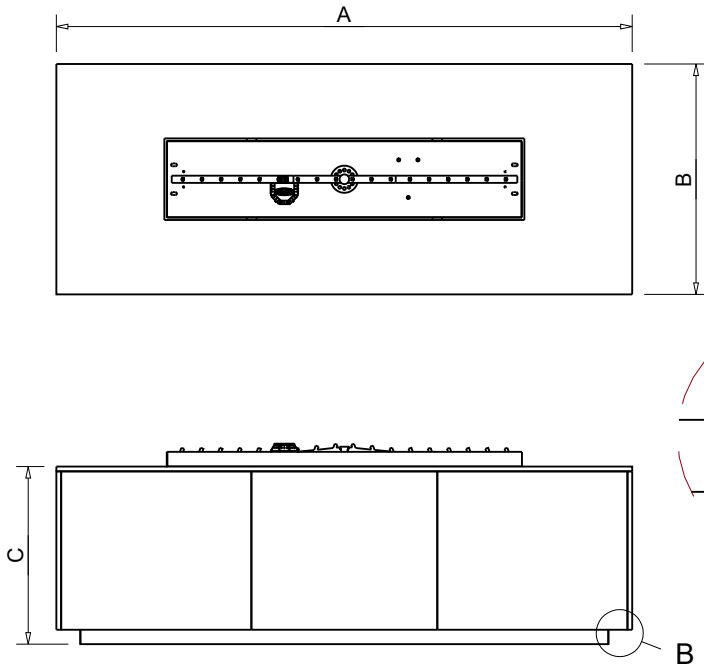




Hearth Products Controls Co
FIRE PIT INSERT CSA CERTIFIED-OUTDOOR USE ONLY
FOR COMMERCIAL AND RESIDENTIAL USE

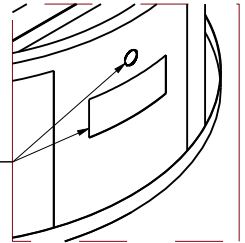
HEARTH PRODUCTS CONTROLS
 2225 LYONS RD.
 MIAMISBURG, OH 45342
 TOLL FREE: 877.585.9800
 PHONE: 937.436.9800
 www.hpcfire.com



VENTING TO BE CLEAR OF DEBRIS AND ANY FINISHING MATERIAL

Detail B

FRAME IS PRE-CUT FOR FPPK OR MLFPK BUT NOT BOARD



ELECTRONIC IGNITION (EI)						
PART NUMBERS	STND BTU	DIMENSION CHART			POWER	INSERT
		A"	B"	C"		
TOR-U60X24/37X8CEK	115K	60	24	18	120VAC OR 24VAC	TOR-37X8SSEI-L
TOR-U60X24/49X8CEK	150K	60	24	18	120VAC OR 24VAC	TOR-49X8SSEI-L
PUSH BUTTON/FLAME SENSING (FPPK)						
PART NUMBERS	STND BTU	DIMENSION CHART			POWER	INSERT
		A"	B"	C"		
TOR-U60X24/37X8FPPKCEK	115K	60	24	18	AA BATTERY	TOR-FPPK37X8-L
TOR-U60X24/49X8FPPKCEK	150K	60	24	18	AA BATTERY	TOR-FPPK49X8-L
MATCH LIT (MLFPK)						
PART NUMBERS	STND BTU	DIMENSION CHART			POWER	INSERT
		A"	B"	C"		
TOR-U60X24/37X8MLFPKCEK	65K	60	24	18	-	TOR-MLFPK37X8-L
TOR-U60X24/49X8MLFPKCEK	65K	60	24	18	-	TOR-MLFPK49X8-L

EI MODELS INCLUDE: ENCLOSURE, FULLY ASSEMBLED INSERT, INPUT FLEX LINE AND INSTRUCTIONS

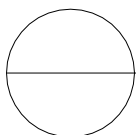
FPPK MODELS INCLUDE: ENCLOSURE, FULLY ASSEMBLED INSERT, MOUNTING SLEEVE AND INSTRUCTIONS

MLFPK MODELS INCLUDE: ENCLOSURE, FULLY ASSEMBLED INSERT AND INSTRUCTIONS

INSERT: 37" X 8" OR 49" X 8"

Notes:

1. CONSTRUCTION - .065 MILD STEEL WELDED FRAME AND 1/2" CEMENT BOARD SHELL AND WEIGHS 150 LBS.
2. ALL ENCLOSURES INCLUDE FULL OPEN VENTING ALONG BOTTOM. ADEQUATE DRAINAGE IS NEEDED.
2. FOLLOW ALL MANUFACTURER INSTALLATION INSTRUCTIONS AND LOCAL CODES.
3. ALL DIMENSIONS ARE CONSIDERED TRUE AND REFLECT MANUFACTURER'S SPECIFICATIONS AS OF THE REVISION DATE.
4. DO NOT SCALE DRAWING.
5. THESE DRAWINGS ARE FOR SIZING AND PLANNING PURPOSES. ALL INFORMATION CONTAINED HEREIN WAS CURRENT AT THE TIME OF DEVELOPMENT. THE MANUFACTURER'S RESPONSIBLE FOR THE ACCURACY OF THE DRAWING.
6. CONTRACTOR'S NOTE: FOR PRODUCT AND COMPANY INFORMATION VISIT www.CADdetails.com/info REFERENCE NUMBER 771-066.



READY TO FINISH SERIES
RECTANGLE BURNER ENCLOSURE - INTERLINK BURNER INSERT