

629  
series  
shown

**Series:**

610, 611, 612, 625, 626, 629, 630, 631, 635, 640,  
642, 645, 650, 651, 652, 653, 655, 675, 676, 711,  
712, 725, 770, 775, 782, 783, 784

(Media purchased separately)

Certified to:  
ANSI Z21.97/CSA 2.41  
for outdoor decorative  
gas appliances



**⚠ WARNING: For Outdoor Use Only**

**OUTDOOR FIRETABLES**

**⚠ WARNING:** If the information in this manual is not followed exactly, a fire or explosion may result causing property damage, personal injury or loss of life.

- Do not store or use gasoline or other flammable vapors and liquids in the vicinity of this or any other appliance.
- A propane cylinder not connected for use shall not be stored in the vicinity of this or any other appliance.

**⚠ DANGER**

If you smell gas:

1. Shut off gas to the appliance.
2. Extinguish any open flame.
3. If odor continues, keep away from the appliance and immediately call your gas supplier or fire department.

Installation and service must be performed by an NFI Certified or other qualified professional installer, service agency, or gas supplier.

**⚠ DANGER**

**CARBON MONOXIDE HAZARD**



This appliance can produce carbon monoxide which has no odor.

Using it in an enclosed space can kill you.

Never use this appliance in an enclosed space such as a camper, tent, car, or home.

**INSTALLER & CONSUMER:** These instructions MUST be retained with this appliance for future reference.

**Important:** Read these instructions carefully before starting installation of the unit.

**⚠ WARNING**

Improper installation, adjustment, alteration, service, or maintenance can cause property damage, personal injury, or loss of life. Read the installation, operating and maintenance instructions thoroughly before installing or servicing this equipment.

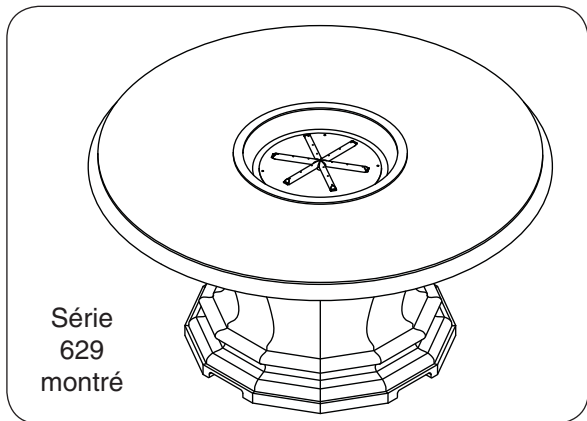
This appliance is designed as an **attended appliance**. Adults **must** be present when the unit is operating. **DO NOT** leave this unit burning when unattended. If this product is left burning unattended, it may cause damage or serious injury.

**IMPORTANT**

For safe operation and proper performance of this product and to comply with certification, listings, and building code acceptances, use **ONLY** Peterson AFD controls, parts, and accessories that have been specifically listed or certified for use with this burner system. Use of other controls, parts, or accessories is prohibited and will void all warranties, certifications, listings, and building code approvals, and may cause property damage, personal injury, and loss of life.

**CODE AND SUPPLY REQUIREMENTS:**

The installation must conform with local codes and ordinances, or, in the absence of local codes, with the latest *National Fuel Gas Code, ANSI Z223.1*.



Série  
629  
montré

**Series:**

610, 611, 612, 625, 626, 629, 630, 631, 635, 640,  
642, 645, 650, 651, 652, 653, 655, 675, 676, 711,  
712, 725, 770, 775, 782, 783, 784

(Médias achetés séparément)

Certifié à:  
ANSI Z21.97/CSA 2.41  
pour les appareils à gaz  
décoratifs extérieurs



**⚠ AVERTISSEMENT: Pour l'usage extérieur  
seulement**

**FIRETABLES PLEIN AIR**

**⚠ AVERTISSEMENT:** Si l'information en ce manuel n'est pas suivie exactement, un incendie ou une explosion peut résulter entraînant des dégâts matériels, le dommage corporel ou des pertes humaines.

- Ne pas entreposer ni utiliser d'essence ou d'autres vapeurs et liquides inflammables à proximité de cet appareil ou de tout autre.
- Une bouteille de propane non branchée ne doit pas être entreposée à proximité de cet ou tout autre appareil.

**⚠ DANGER**

Si vous sentez une odeur de gaz:

1. Coupez le gaz à l'appareil.
2. Éteindre toute flamme nue.
3. Si l'odeur persiste, éloignez-vous de l'appareil et appelez immédiatement votre fournisseur de gaz ou les pompiers.

L'installation et le service doivent être assurés par un NFI certifié ou toute autre installateur, agence de service, ou fournisseur professionnelle qualifiée de gaz.

**⚠ DANGER**

**DANGER MONOXYDE DE CARBONE**

Cet appareil peut produire du monoxyde de carbone n'a pas d'odeur qui.

Son utilisation dans un espace clos peut vous tuer.

Ne jamais utiliser cet appareil dans un espace clos comme une caravane, tente, véhicule ou maison.



**d'INSTALLATEUR; CONSOMMATEUR:** Ces instructions DOIVENT être maintenues avec cet appareil pour la future référence.

**Important:** Lisez ces instructions soigneusement avant de commencer l'installation de l'unité.

**⚠ AVERTISSEMENT**

L'installation, l'ajustement, le changement, le service, ou l'entretien inexact peuvent causer des dégâts matériels, le dommage corporel, ou des pertes humaines. Lisez l'installation, l'opération et les instructions d'entretien complètement avant d'installer ou entretenir cet équipement.

Cet appareil est conçu comme appareil occupé. Les adultes doivent être présent quand l'unité fonctionne. Ne laissez pas ce burning d'unité si sans surveillance. Si ce produit est laissé sans surveillance brûlant, il peut causer des dommages ou des dommages sérieux.

**IMPORTANT**

Pour l'exploitation sûre et l'exécution appropriée de ce produit et pour se conformer à la certification, aux listes, et aux acceptations de codes du bâtiment, commandes, pièces, et accessoires de Peterson d'utilisation SEULEMENT qui ont été spécifiquement énumérés ou certifiés pour l'usage avec ce système de brûleur. L'utilisation d'autres commandes, pièces, ou accessoires est interdite et videra toutes les garanties, certifications, listes, et approbations de codes du bâtiment, et peut causer des dégâts matériels, le dommage corporel, et des pertes humaines.

**CONDITIONS DE CODE ET D'APPROVISIONNEMENT:**

L'installation doit se conformer aux codes locaux et aux ordonnances, ou, en l'absence des codes locaux, au plus défunt code national de gaz de carburant, la norme ANSI Z223.1.

# TABLE OF CONTENTS

## GETTING STARTED

PRE-INSTALLATION AND PREPARATION SAFETY GUIDELINES .....	4
INSTALLATION SAFETY GUIDELINES .....	5
OPERATING THE UNIT SAFELY AND CORRECTLY ....	5
SAFE USE & MAINTENANCE OF PROPANE GAS CYLINDERS.....	7
ELECTRICAL SAFETY INFORMATION .....	8
SPECIFICATIONS AND DIMENSIONS.....	9
PRIMARY MEDIA OPTIONS (required) .....	10
SECONDARY MEDIA OPTIONS (optional) .....	10
MINIMUM CLEARANCES .....	12
TOOLS REQUIRED .....	12
PARTS LIST.....	13

## INSTALLATION

IMPORTANT SAFETY INFORMATION .....	18
FIRETABLE INSTALLATION .....	18
BEFORE YOU BEGIN.....	18
LOCATION .....	18
GAS SUPPLY SETUP (if applicable) .....	19
ELECTRICAL SETUP (if applicable - F models) .....	19
FIRETABLE: ONE-PIECE MODELS.....	20
FIRETABLE ASSEMBLY: TWO-PIECE MODELS .....	21
FIRETABLE ASSEMBLY: THREE-PIECE MODELS .....	23
FIRETABLE ASSEMBLY: FOUR-PIECE MODELS .....	28
CONNECT GAS SUPPLY.....	29
LEAK TEST.....	30
CONNECT POWER SUPPLY CORD (if applicable - F models) .....	30
INSTALL BATTERIES (if applicable - F models) .....	30
INSTALL BURNER ASSEMBLY (if needed) .....	30
LIGHTING TEST.....	30
REPLACE STORAGE DOOR (if applicable).....	30
DECORATIVE MEDIA PLACEMENT .....	31
LAVA MEDIA .....	31
VOLCANIC STONES .....	31
GLASS MEDIA .....	32
ADDITIONAL SECONDARY OPTIONS .....	32
OPTIONAL ACCESSORIES .....	33
OPTIONAL GFRC COVER.....	33
OPTIONAL FABRIC COVER .....	33
OPTIONAL WIND GUARD .....	33
NOTES PAGE .....	34

## USE, CARE, & SERVICE

LIGHTING INSTRUCTIONS - CONTROL KNOB MODELS .....	35
FOR YOUR SAFETY, READ BEFORE LIGHTING .....	35
TO SHUT OFF GAS TO THE APPLIANCE.....	35
LIGHTING INSTRUCTIONS KEY VALVE MODELS ...	37
FOR YOUR SAFETY, READ BEFORE LIGHTING .....	37
TO SHUT OFF GAS TO THE APPLIANCE.....	37
LIGHTING INSTRUCTIONS - ALL WEATHER REMOTE MODELS .....	39
FOR YOUR SAFETY, READ BEFORE LIGHTING .....	39
REMOTE LIGHTING .....	39
MANUAL LIGHTING .....	41
SHUTTING DOWN.....	41
MASTER SWITCH .....	41
PILOT APPEARANCE.....	41
SERVICING AND CLEANING.....	43
ANNUAL CLEAN / INSPECTION GUIDELINES.....	43
CONCRETE CARE .....	44
FUEL CONVERSION KITS .....	44
SYNCING THE REMOTE SYSTEM (if applicable).....	45
BATTERY INSTALLATION/REPLACEMENT (if applicable) .....	45
FUSE REPLACEMENT (if applicable).....	46
TROUBLESHOOTING.....	48
WARRANTY .....	50

## IMPORTANT SAFETY INFORMATION

Congratulations on your purchase of an American Fyre Designs outdoor gas firetable. Made with pride in America, your new firetable complies with national safety standards and when installed per these instructions and used as intended it will provide warmth and comfort to your outdoor area for many years.

**Prior to installation and operation ensure that all specifications, dimensions, and minimum clearances stated in this manual are observed. You must read all warnings and safety information, and understand all of the information in this manual. All installation requirements must be observed and met.**

## PRE-INSTALLATION AND PREPARATION SAFETY GUIDELINES

- A. **A shut-off valve (not included) in the gas line is required.** It provides for safety when the unit is not in use and for convenient maintenance and repair. It must be installed within 6 feet of unit. Use a pipe joint compound resistant to all gasses on all male fittings except flare fittings.
- B. Before installing this unit, check the MINIMUM CLEARANCE section to ensure that the surrounding area is **properly sized for the installation.**
- C. The unit is for outdoor use only. **DO NOT** install or use this appliance inside a building, garage, or any other enclosed area, including recreational vehicles and/or boats. **THIS UNIT MUST BE INSTALLED IN SUCH A MANNER THAT ALL VENT OPENINGS ON THE UNIT REMAIN CLEAR AND FREE OF ALL OBSTRUCTIONS AT ALL TIMES AND DURING ALL WEATHER CONDITIONS.**
- D. **SOLID FUEL MUST NOT BE BURNED** in the unit.
- E. **CHECK GAS TYPE** (natural gas or propane): The gas supply you intend to use may not be the same as that stated on the unit rating plate as purchased. If the gas supply is different, **convert the unit to the gas type you intend to use (IF PERMITTED).** See the FUEL CONVERSION KIT section and contact the dealer for assistance.
- F. **FOR NATURAL GAS:** The minimum inlet gas-supply pressure for purposes of input adjustment is **5"** water column (w.c.), and the maximum inlet gas-supply pressure is **10.5 "** w.c.  
**FOR PROPANE GAS:** The minimum inlet gas-supply pressure for purposes of input adjustment is **11"** w.c., and the maximum inlet gas-supply pressure is **13"** w.c. **DO NOT INSTALL THIS UNIT IF MINIMUM PRESSURE IS NOT AVAILABLE OR IF MAXIMUM PRESSURE IS EXCEEDED.**
- G. **The gas piping system must be sized to provide minimum inlet pressure at the maximum flow rate (BTU/hr).** Undue pressure loss will occur if the pipe is too small, or the run is too long. Gas supply pipe must be 1/2" minimum interior diameter. If the gas line is longer than 20', a larger diameter line may be necessary. Refer to the NFPA 54 guidelines for further details.
- H. For installations at elevations above 2,000 ft., contact your local dealer or gas supplier before installing. Input ratings should be reduced approximately 4% per 1,000 ft. above sea level. Refer to National Fuel Gas Code.
- I. The unit and its individual shut-off valve must be disconnected from the gas-supply piping system during any pressure testing of that system at test pressures in excess of 1/2 psi (3.5 kPa). This is accomplished by closing the gas-supply line valve. The unit must be isolated from the gas-supply piping system by closing its individual manual shut-off valve during any pressure testing of the gas-supply piping system at test pressures equal to or less than 1/2 psi (3.5 kPa).
- J. When an appliance is for connection to a fixed piping system, the installation must conform with local codes, or in the absence of local codes with the National Fuel Gas Code, ANSI Z223.1/NFPA 54; International Fuel Gas Code, Natural Gas and Propane Installation Code, CSA B149.1; or Propane Storage and Handling Code, B149.2, as applicable. The appliance, when installed, must be electrically grounded in accordance with local codes, or in the absence of local codes with the National Electrical Code, ANSI/NFPA 70; or the Canadian Electrical Code, CSA C22.1, if applicable.

**Electrical Grounding Instructions (if applicable) - Select models are equipped with a three-prong (grounding) plug for your protection against shock hazard and should be plugged directly into a properly grounded three-prong receptacle. Do not cut or remove the grounding prong from this plug.**

- K. **INSTALLER NOTE:** This unit should be installed so that it can be removed if service is required.
- L. **GAS-SUPPLY PLUMBING REQUIREMENTS**  
Apply only joint compounds that are resistant to all gasses on all male pipe fittings. Make sure to tighten every joint securely. Do not use pipe joint compound to connect flare fittings. Bring the gas-supply pipe up from beneath the enclosure near its center (if applicable).
- M. **DECORATIVE MEDIA:** The unit does not include the decorative media required for safe operation and proper performance. You MUST purchase the media separately. Numerous options are available. See the SPECIFICATIONS AND DIMENSIONS (media option) section for details.

**CAUTION:** Installation and maintenance must be done by an NFI Certified or other qualified professional service technician. Installer, read these instructions before installing this product. Be sure you understand all safety precautions and warnings contained in this manual.

## INSTALLATION SAFETY GUIDELINES

- A. Carefully inspect for shipping damage. If any parts are damaged, contact your dealer.
- B. Installation and repair should be done by a qualified professional service technician. The appliance should be inspected before use and at least annually by a qualified service person. More frequent cleaning may be required as necessary. It is imperative that control compartment, burners and circulating air passageways of the appliance are kept clean.
- C. **WEAR GLOVES AND USE EXTREME CAUTION WHENEVER INSTALLING AND HANDLING THIS PRODUCT AND ITS ACCESSORIES AS CERTAIN COMPONENTS HAVE SHARP EDGES THAT CAN CAUSE PERSONAL INJURY.**
- D. Correct installation and proper placement of the unit and decorative media **is crucial** to the safe performance of the unit. See INSTALLATION section for details.
- E. **DO NOT** install the unit under any overhead construction that is less than 6 feet above the top of the unit.
- F. Ensure that the unit is installed on a hard and level surface.
- G. Ensure that the unit is installed in such a manner that all vent openings on the unit remain clear and free of all obstructions at all times and during all weather conditions.
- H. Due to high temperatures, the unit must be located out of traffic areas and away from combustibles.
- I. **IF APPLICABLE, KEEP THE PILOT/IGNITER SCREEN CLEAR OF DECORATIVE MEDIA AND ANY OTHER ITEMS / DEBRIS AT ALL TIMES. THIS WILL ALLOW FOR PROPER IGNITION AND OPERATION. DO NOT COVER.**

## OPERATING THE UNIT SAFELY AND CORRECTLY

- A. **This product is a decorative gas appliance. It is not a cooking appliance.**
- B. **SOLID FUEL MUST NOT BE BURNED** in the unit.
- C. When shutting the unit down—be sure to TURN THE CONTROL VALVE FULLY OFF.
- D. Children MUST be supervised when they are in the area of this appliance.
- E. **DO NOT** sit or place any part of the body, clothing, or other flammable materials on or near the unit surround. Children and adults should be alerted to the hazard of high surface temperatures and should stay away to avoid burns or clothing ignition. DO NOT lean over the unit when lighting or when in use.
- F. Every time you use the unit, **make sure that:**
  - 1. The area around the unit is clear and free from combustible materials, gasoline and other flammable vapors and liquids.
  - 2. There is no blockage of the airflow through the vent openings located on the unit.
  - 3. **THE PILOT/IGNITER SCREEN IS CLEAR OF DECORATIVE MEDIA AND ANY OTHER ITEMS / DEBRIS (IF APPLICABLE). DO NOT COVER.**
  - 4. The hose is inspected (if applicable). See the SAFE USE & MAINTENANCE OF PROPANE-GAS CYLINDERS section.
- G. **WARNING: HOT WHILE IN OPERATION AND FOLLOWING OPERATION. Serious injury can occur! DO NOT** throw trash, paper, or other flammable materials onto the unit. **DO NOT** leave in operation when unattended.  
**WARNING: DO NOT operate this unit in the rain.**  
**WARNING: DO NOT operate this unit in high-wind conditions. Operating in high-wind conditions may expose your unit to direct flame, which will result in cracking and discoloration to the finish.**
- H. **DO NOT** continue using if you smell unusual odors, or have headaches, nausea, or dizziness.
- I. **DO NOT** store any combustible materials, gasoline, and any other flammable vapors/liquids in the vicinity of the unit. Provide adequate clearance for servicing and operation.
- J. Matches, paper, garbage, or any other material must not be thrown onto the unit or into the flame.
- K. **DO NOT** use the unit if any part of it has been underwater. Immediately call a qualified professional service technician to inspect the unit and to replace any part of the control system and any gas control that has been underwater.

# UTILISATION SÛRE ET ENTRETIEN DES CYLINDRES DE GAZ DE PROPANE

## IMPORTANT POUR VOTRE SÛRETÉ

LISEZ ET SUIVEZ TOUS LES AVERTISSEMENTS ÉQUIPÉS DE VOTRE CYLINDRE DE GAZ DE PROPANE.

En actionnant cet appareil avec un cylindre de gaz de propane ON DOIT observer ces instructions et avertissements.

**LE MANQUE DE FAIRE AINSI PEUT AVOIR COMME CONSÉQUENCE UNE INCENDIE OU UNE EXPLOSION SÉRIEUSE.**

### CYLINDRE ET CONDITIONS ET

#### CARACTÉRISTIQUES DE CONNECTEUR

- Des cylindres et les valves de gaz de propane doivent être maintenus en bon état et doivent être remplacés s'il y a des dommages évidents au cylindre ou à la valve.
- Ce gril, une fois utilisé avec un cylindre, devrait être relié à un gallon de la norme 5 (20lb.) cylindre de gaz de propane équipé d'un OPD (remplissez au-dessus du niveau le dispositif d'empêchement). L'OPD a été exigé sur tous les cylindres vendus depuis octobre 1.1998 pour empêcher le remplissage excessif.
- Les dimensions de cylindre devraient être approximativement 12"(30.5cm) de diamètre et 18" (45.7cm) hauts. Des cylindres doivent être construits et marqués selon les caractéristiques pour des cylindres de gaz de propane du département des ETATS-UNIS du transport (D.O.T.) ou le niveau national du Canada, du CAN/CSA-B339, des cylindres, des sphères et des tubes pour le transport des marchandises dangereuses.
- Le cylindre doit inclure un collier pour protéger la valve de cylindre et le circuit d'alimentation de cylindre doit être assuré le retrait de vapeur.
- L'ensemble régulateur et le tuyau de pression (Fig. 6-1) fourni avec cet appareil de gaz à l'extérieur (certains modèles LP seulement) doit être utilisé. Assemblages originaux et régulateur de pression de remplacement et le tuyau doivent être celles qui sont spécifiées par le fabricant pour la connexion avec un dispositif de connexion cylindre identifiée comme de type I par l'ANSI Z 21.58/CGA 1.6 (voir liste des pièces de commande).
- La valve de cylindre de gaz de propane doit être équipée d'un dispositif d'accouplement de raccordement de cylindre, décrit comme type I dans la norme définie dans le e. de paragraphe ci-dessus. Ce dispositif est généralement décrit comme coupleur rapide de fil de point culminant.
- Si votre cylindre de gaz de propane vient avec une prise de la poussière, placez le bouchon anti-poussière sur la sortie de valve de cylindre toutes les fois que le cylindre n'est pas en service.

#### OPÉRATION DE COUPLEUR RAPIDE

**Pour relier le régulateur/hose à l'ajustage de précision de valve de cylindre de gaz de propane:** Serrez l'écrou de main sur le régulateur au-dessus de l'ajustage de précision de fil de point culminant sur la valve de cylindre. Tournez l'écrou de

main dans le sens des aiguilles d'une montre pour engager les fils et pour serrer jusqu'à ce que douillettement. L'utilisation des pinces ou de la clé ne devrait pas être nécessaire. Seulement le propane marqué par cylindres doit être employé.

**Pour débrancher:** Tournez l'écrou de main dans le sens contraire des aiguilles d'une montre jusqu'à isolé (fig. 6-1).

**Important:** Avant d'employer le gril, et ensuite chaque fois que le cylindre est enlevé et rattaché, examinez tous les raccordements pour déceler les fuites. Arrêtez les valves de gril et ouvrez la valve principale de cylindre, puis vérifiez les raccordements avec de l'eau savonneux. Réparez toutes les fuites avant d'allumer le gril.

**ATTENTION:** Tournez toujours la valve principale de cylindre de propane au loin après chaque utilisation, et avant de déplacer le gril et le cylindre, ou débrancher l'accouplement. Cette valve doit rester fermée et le cylindre a débranché alors que l'appareil n'est pas en service, quoique l'écoulement de gaz soit arrêté par un dispositif de sûreté quand le coupleur est débranché.

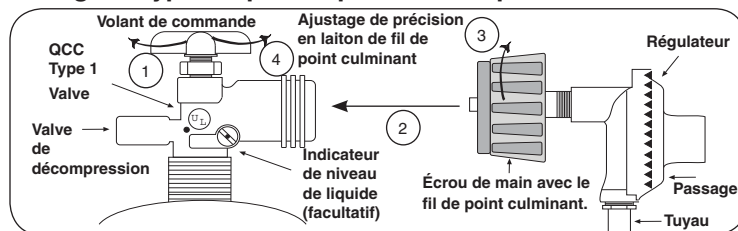
**Inspectez soigneusement** l'ensemble de tuyau chaque fois avant que le gaz soit allumé. Un tuyau fissuré ou effiloché doit être immédiatement remplacé.

Si l'appareil est stocké à l'intérieur, le cylindre doit être disconnected et a enlevé. Des cylindres Disconnected doivent être stockés dehors, hors de la portée des enfants, avec les prises de valve filettées étroitement installées, et ne doivent pas être stockés dans un bâtiment, le garage, ou n'importe quel autre secteur inclus.

#### POUR VOTRE SÛRETÉ

- Ne stockez pas un cylindre de gaz disponible de propane dessous ou ne vous approchez pas de cet appareil.
- Ne remplissez jamais cylindre au delà de 80 pour cent de plein.
- SI L'INFORMATION DANS "A" ET "B" N'EST PAS SUIVIE EXACTEMENT, UN FEU CAUSANT LA MORT OU DES DOMMAGES SÉRIEUX PEUT SE PRODUIRE.

Fig. 6-1 type coupleur rapide de fil de point culminant d'I



# SAFE USE & MAINTENANCE OF PROPANE GAS CYLINDERS

## IMPORTANT FOR YOUR SAFETY

### READ AND FOLLOW ALL WARNINGS PROVIDED WITH THE PROPANE-GAS CYLINDER.

When operating this appliance with a propane-gas cylinder, these instructions and warnings **MUST** be observed.

**FAILURE TO DO SO MAY RESULT IN A SERIOUS FIRE OR EXPLOSION.**

## CYLINDER/CONNECTOR REQUIREMENTS

- Propane-gas cylinders, valves, and hoses must be maintained in good condition and must be replaced if there is visible damage to either the cylinder or valve. If the hose is cut or shows excessive abrasion or wear, it must be replaced before using the gas appliance (see e.).
- This unit, when used with a cylinder, should be connected to a standard 5-gallon (20 lb.) propane-gas cylinder equipped with an OPD (Overfill Prevention Device). The OPD has been required on all cylinders sold since October 1, 1998, to prevent overfilling.
- Cylinder dimensions should be approximately 12" (30.5 cm) in diameter and 18" (45.7 cm) high. Cylinders must be constructed and marked in accordance with the *Specifications for Propane Gas Cylinders of the U.S. Department of Transportation (D.O.T.)* or the National Standard of Canada, *CAN/CSA-B339, Cylinders, Spheres, and Tubes for Transportation of Dangerous Goods*.
- The cylinder used must include a collar to protect the cylinder valve, and the cylinder supply system must be arranged for vapor withdrawal.
- The pressure regulator and hose assembly (Fig. 7-1) *supplied* with this outdoor gas appliance (select L.P. models only) must be used. Original and replacement pressure regulator and hose assemblies must be those specified by the manufacturer for connection with a cylinder connecting device identified as Type I by the *ANSI Z 21.58/CGA 1.6* (see PARTS LIST for ordering information).
- The propane-gas cylinder valve must be equipped with a cylinder connection coupling device, described as Type I in the standard defined in paragraph e. above. This device is commonly described as an Acme thread quick coupler.
- If the propane-gas cylinder comes with a dust plug, place the dust cap on the cylinder valve outlet whenever the cylinder is not in use.

## QUICK COUPLER OPERATION

**To connect the regulator/hose assembly to the propane-gas cylinder valve fitting:** Press the hand nut on the regulator over the Acme thread fitting on the cylinder valve. Turn the hand nut clockwise to engage the threads and tighten until snug.

The use of pliers or a wrench should not be necessary. Only cylinders marked "propane" may be used.

**To disconnect:** Turn the hand nut counterclockwise until detached (Fig. 7-1).

**Important:** Before using the unit, and after each time the cylinder is removed and reattached, check the hose for wear (see a.) and check all connections for leaks. Turn off the unit valves and open the main cylinder valve, then check connections with soapy water. Repair any leaks before lighting the unit.

**CAUTION:** Always turn the propane cylinder main valve off after each use, and before moving the unit and cylinder or disconnecting the coupling. This valve must remain closed and the cylinder disconnected while the appliance is not in use, even though the gas flow is stopped by a safety feature when the coupler is disconnected.

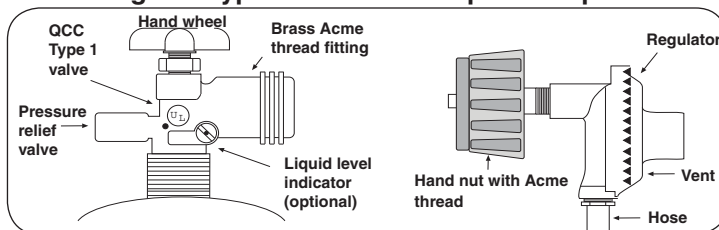
**Carefully** inspect the hose assembly each time before the gas is turned on. A cracked or frayed hose must be replaced immediately.

If the appliance is stored indoors, the cylinder must be disconnected and removed. Disconnected cylinders must be stored outdoors, out of the reach of children, with threaded valve plugs tightly installed, and must not be stored in a building, garage, or any other enclosed area.

## FOR YOUR SAFETY

- DO NOT store a spare propane-gas cylinder under or near this appliance.
- NEVER fill the cylinder beyond 80-percent full.
- IF THE INFORMATION IN a. AND b. IS NOT FOLLOWED EXACTLY, A FIRE CAUSING DEATH OR SERIOUS INJURY MAY OCCUR.

Fig. 7-1 Type I Acme thread quick coupler



## ELECTRICAL SAFETY INFORMATION

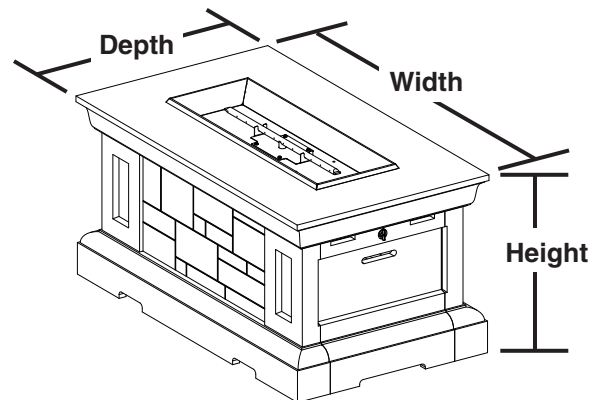
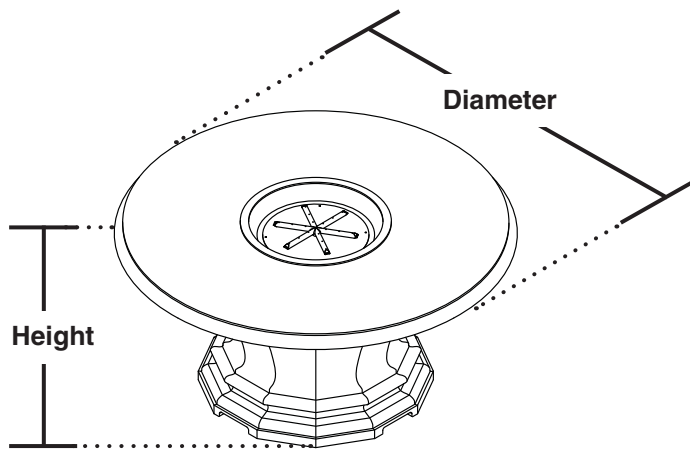
- To protect against electric shock, do not immerse cord or plugs in water or other liquid.
- Unplug from the outlet when not in use and before cleaning. Allow to cool before putting on or taking off parts.
- Do not operate any outdoor gas appliance with a damaged cord, plug, or after the appliance malfunctions or has been damaged in any manner. Contact the manufacturer for repair.
- Do not let the cord touch hot surfaces.
- Do not use an outdoor gas appliance for purposes other than intended.
- When connecting, first make wire connections then plug appliance into the outlet.
- **Use only a properly wired and inspected 120VAC (15 AMP minimum) Ground Fault Circuit Interrupter (GFCI) GROUNDED 3-wire receptacle with this outdoor gas appliance.**
- The GFCI receptacle must be a WEATHER-PROOF IN-USE COVERED RECEPTACLE.
- Never remove the grounding plug or use with an adapter of 2 prongs.
- Use only extension cords with a 3 prong grounding plug, rated for the power of the equipment, and approved for outdoor use with a W-A marking.
- **The provisions of the National Electric Code as well as any local codes must be observed when installing the product.**



# SPECIFICATIONS AND DIMENSIONS

Style	BTUs				Dimensions	Weight
	V/K Models		F Models			
	Nat.	L.P.	Nat.	L.P.		
Amphora Firetable (610, 611, & 612)	60,000	50,000	n/a	n/a	48" dia. x 24" h	450 / 500 lbs
Chat Height Octagon Firetable (625 & 626)	60,000	50,000	n/a	n/a	54" dia. x 24" h	750 / 700 lbs
Inverted Firetable (629, 630, & 631)	60,000	50,000	n/a	n/a	48" dia. x 24" h	450 / 500 lbs
Cosmopolitan Round Firetable (645)	60,000	50,000	90,000	80,000	48" dia. x 24" h	250 lbs
Lotus Dining Firetable (652)	60,000	50,000	n/a	n/a	48" dia. x 29" h	288 lbs
Lotus Firetable (653)	60,000	50,000	n/a	n/a	48" dia. x 20" h	280 lbs
Lotus Bar Firetable (655)	60,000	50,000	n/a	n/a	48" dia. x 42" h	380 lbs
Inverted Dining Firetable (675 & 676)	60,000	50,000	n/a	n/a	60" dia. x 29" h	550 / 600 lbs
Fiesta Firetable (770)	60,000	50,000	n/a	n/a	54" dia. x 25" h	350 lbs
Fiesta Dining Firetable (775)	60,000	50,000	n/a	n/a	54" dia. x 28" h	350 lbs
Contempo Round Firetable (782)	60,000	50,000	90,000	80,000	47" dia. x 15 1/2" h	325 lbs
Cosmopolitan Rectangle Firetable (635)	60,000	50,000	90,000	80,000	54" w x 36" d x 24" h	350 lbs
Cosmopolitan Square Firetable (640)	60,000	50,000	90,000	80,000	36" w x 36" d x 24" h	250 lbs
Cosmopolitan Square Dining Firetable (642)	65,000	60,000	110,000	110,000	60" w x 60" d x 29" h	500 lbs
Rectangular Firetable (650)	60,000	50,000	n/a	n/a	48" w x 27" d x 23" h	350 lbs
Elliptical Dining Firetable (651)	60,000	50,000	n/a	n/a	82" w x 58" d x 30" h	445 lbs
Nest Square / Voro Firetable (711 & 725)	60,000	50,000	n/a	n/a	36" w x 36" d x 24" h	290 / 250 lbs
Nest Rectangle Firetable (712)	60,000	50,000	n/a	n/a	48" w x 28" d x 24" h	310 lbs
Contempo Rectangle Firetable (783)	60,000	50,000	90,000	80,000	52" w x 36" d x 15 1/2" h	350 lbs
Contempo Square Firetable (784)	60,000	50,000	90,000	80,000	44" w x 44" d x 15 1/2" h	400 lbs

**Table 1 - Product Specifications**



## SPECIFICATIONS AND DIMENSIONS (cont.)

Only the decorative media options listed below are approved for use with this product. Follow the recommendations for media amounts. All decorative media options are purchased separately; contact your local American Fyre Designs dealer when ordering.

### PRIMARY MEDIA OPTIONS (required)

One of the options (lava/glass) is required for safe operation and proper performance. Place first.

#### When using lava media:

Style	Recommended Amount of Granules / Coals
Cosmopolitan Square Firetable (640), Nest Square Firetable (711), Voro Firetable (725)	15 lbs
Amphora Firetable (610, 611, & 612), Chat Height Octagon Firetable (625 & 626), Inverted Firetable (629, 630, & 631), Cosmopolitan Rectangle Firetable (635), Cosmopolitan Round Firetable (645), Rectangular Firetable (650), Lotus Dining Firetable (652), Lotus Firetable (653), Lotus Bar Firetable (655), Inverted Dining Firetable (675 & 676), Nest Rectangle Firetable (712), Fiesta Firetable (770), Fiesta Dining Firetable (775) Contempo Rectangle Firetable (783) Contempo Square Firetable (784)	20 lbs
Contempo Round Firetable (782)	25 lbs
Elliptical Dining Firetable (651)	30 lbs
Cosmopolitan Square Dining Firetable (642)	35 lbs

**Table 2 - Lava Recommendations**

#### When using glass media:

Style	Recommended Amount of Glass / Gems
Cosmopolitan Square Firetable (640), Nest Square Firetable (711), Voro Firetable (725)	25 lbs
Amphora Firetable (610, 611, & 612), Chat Height Octagon Firetable (625 & 626), Inverted Firetable (629, 630, & 631), Cosmopolitan Rectangle Firetable (635), Cosmopolitan Round Firetable (645), Rectangular Firetable (650), Inverted Dining Firetable (675 & 676), Nest Rectangle Firetable (712), Fiesta Firetable (770), Fiesta Dining Firetable (775)	30 lbs
Contempo Square Firetable (784)	35 lbs
Lotus Dining Firetable (652), Lotus Firetable (653), Lotus Bar Firetable (655), Contempo Round Firetable (782), Contempo Rectangle Firetable (783)	40 lbs
Cosmopolitan Square Dining Firetable (642), Elliptical Dining Firetable (651)	60 lbs

**Table 3 - Glass Recommendations**

### SECONDARY MEDIA OPTIONS (optional)

Secondary options such as volcanic stones / river stones / creekstones / geo shapes / wood chunks / glass nuggets (purchased separately) may also be placed on top of the lava or glass media.

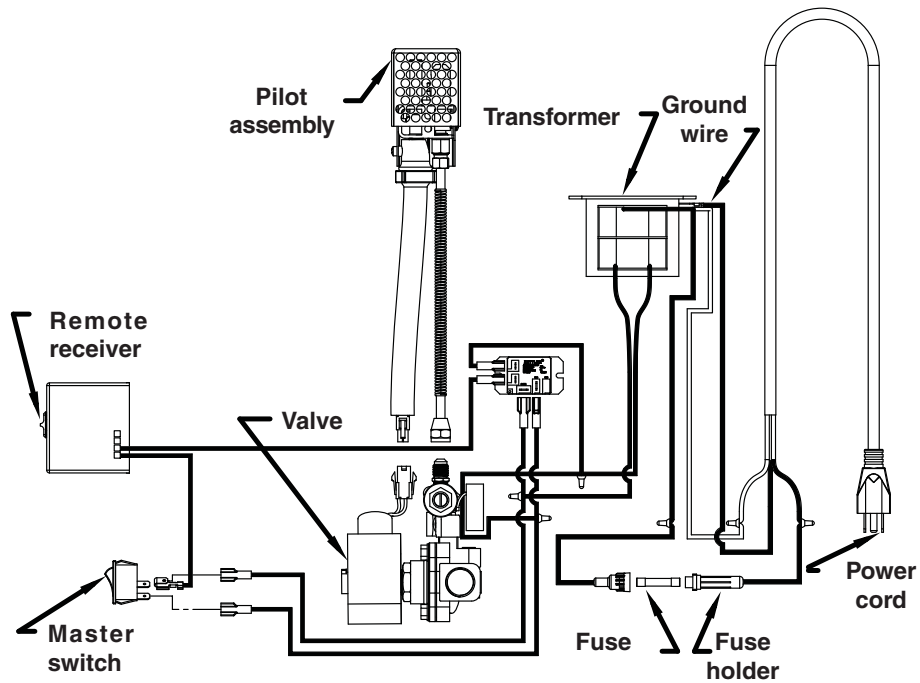
**Note:** *When using volcanic stones, use VS-12 (12 lbs).*

# SPECIFICATIONS AND DIMENSIONS (cont.)

Specification	Value	Qty.
Input electrical requirements	120VAC / 15 AMP minimum / 60 Hz / GFCI outlet	N/A
Remote transmitter battery type	12V battery	1
Remote receiver battery type	AA battery	4

**Table 4 - Technical Data (F Models Only)**

## F MODELS WIRING DIAGRAM



## MINIMUM CLEARANCES

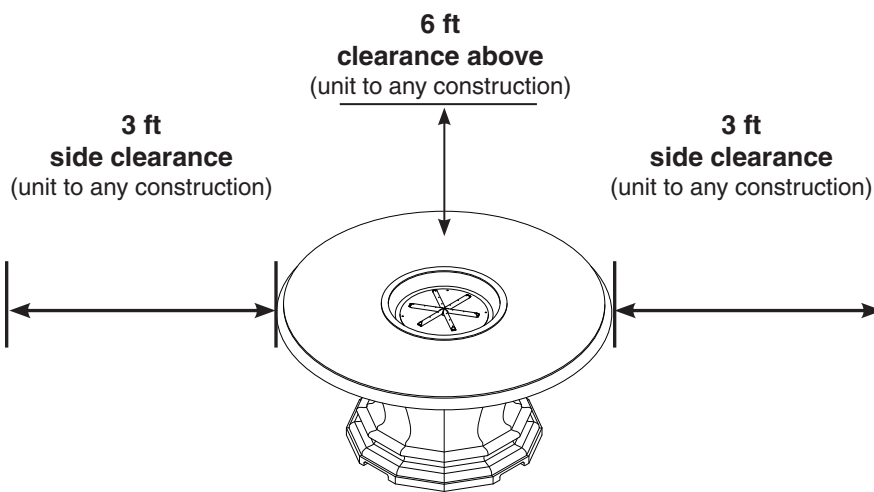
The dimensions shown below are **MINIMUM CLEARANCES** to maintain when you install the unit.

**ALL CLEARANCES AND INFORMATION STATED HERE MUST BE MAINTAINED AND FOLLOWED.**

**Note:** Over time sooting may occur on the ceiling above the unit (if applicable).

Description	Dimension
Side clearance (from unit edge to any construction)	3 ft
Clearance above unit (from unit top to any construction)	6 ft
Clearance below unit	0"

**Table 5-** Minimum Clearances



**Floor must be a hard, level surface. Combustible materials permitted.**

## TOOLS REQUIRED

The following are the minimum tools required for the installation of your unit. Additional tools may be required for your individual installation.

- 2 (or more) assemblers recommended
- appropriate tools for gas supply and electrical install
- cordless drill
- Phillips screwdriver
- 1/2" open-end wrenches (2) (or equivalent)
- drill drivers
- 5/16" nut driver (or equivalent)

# PARTS LIST

- In addition to the appropriate Common Replacement Parts List, reference the appropriate Identification Parts List.
- Decorative media is purchased and packaged separately. Various styles are available.
- Your unit is packaged onto 1 pallet.
- Decorative media and replacement parts can be ordered from your local American Fyre Designs dealer.
- Select models are illustrated (your model may vary)

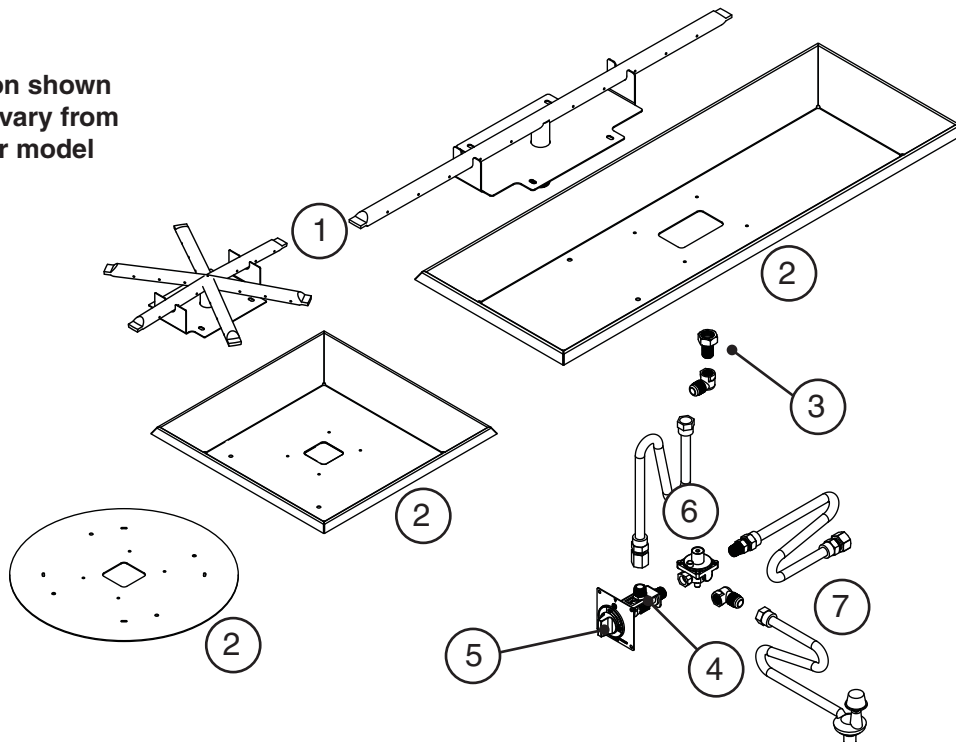
**IMPORTANT**  
Remove all packing material (including any protective coatings) and discard prior to use.



## COMMON REPLACEMENT PARTS LIST - V2 / V4 / V6 MODELS

Item	Description	Part No.	Qty.
1.	12" star burner, only or 16" star burner, only or 24" linear straight burner, only	OBS-12 OBS-16 OBL-24	1 1 1
2.	Round burner plate or Square burner pan (16") or Square burner pan (28") or Rectangular burner pan or Black square burner pan (16") or Black square burner pan (28") or Black rectangular burner pan	OBP-12 87-BPS-16 87-BPS-28 87-BPR-32 88-BPS-16 88-BPS-28 88-BPR-32	1 1 1 1 1 1 1
3.	12" star burner / 24" linear straight burner orifice (Nat.) or 12" star burner / 24" linear straight burner orifice (L.P.) or 16" star burner orifice (Nat.) or 16" star burner orifice (L.P.)	AB-2-24 AM-2-44 AB-2-21 AM-2-42	1 1 1 1
4.	Control valve w/ knob assembly or Control valve w/ knob assembly (Contempo models only)	AV-21 AV-20	1 1
5.	Control knob (only)	KNObs4	1
6.	Pressure regulator (Nat. only) or Convertible Regulator (Nat. & L.P. Contempo models only)	PR-1NAT PR-4	1 1
7.	Flex connector (Nat. only) or 24" L.P. regulator and hose assembly (L.P. only) or 36" L.P. regulator and hose assembly (635, 650, 651, 712 L.P. models only) or Flex connector (Nat. & L.P. Contempo models only)	3035 5110-07 5110-27 3035	1 1 1 1

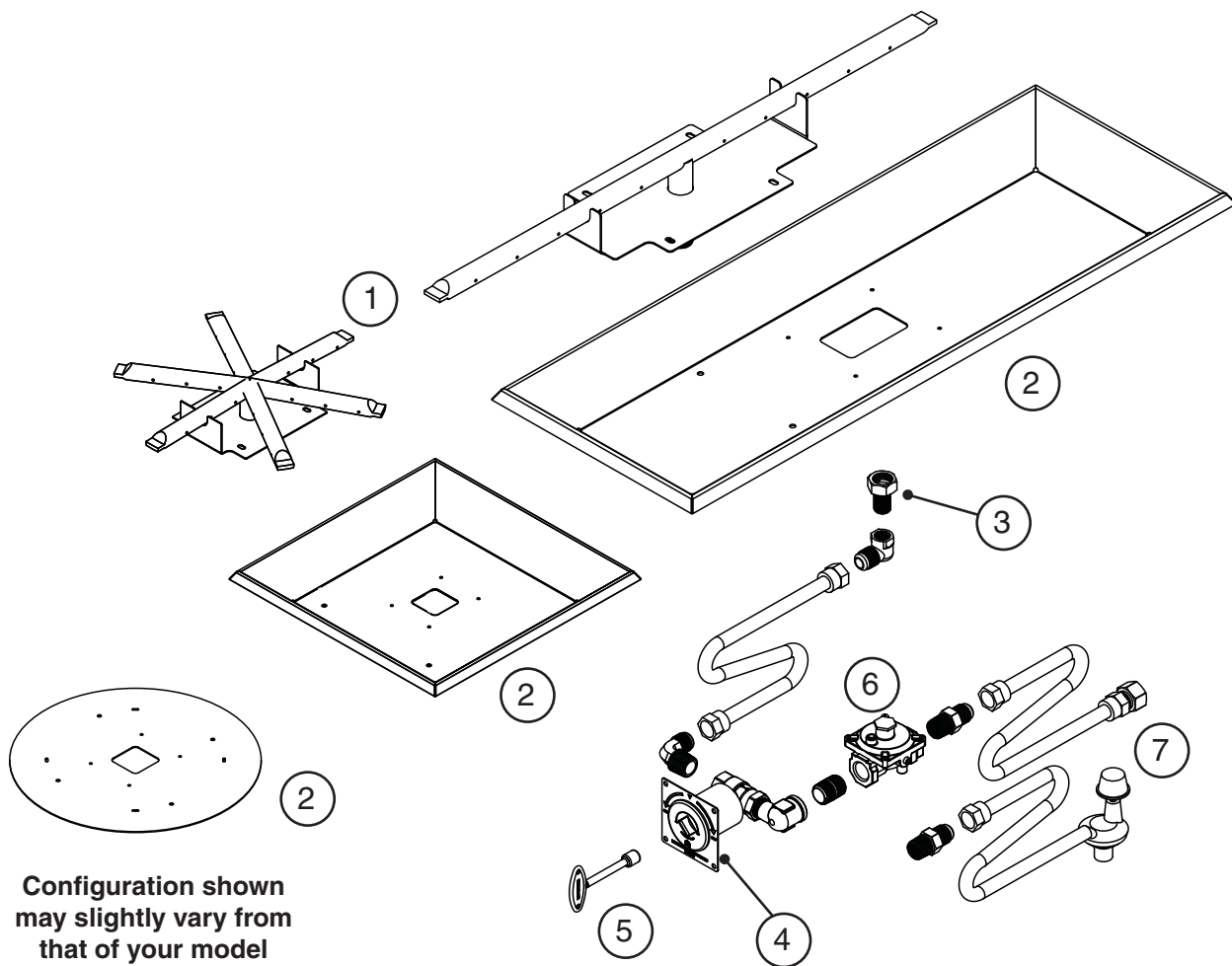
Configuration shown may slightly vary from that of your model



# PARTS LIST (cont.)

## COMMON REPLACEMENT PARTS LIST - K2 / K4 / K6 MODELS

Item	Description	Part No.	Qty.
1.	12" star burner, only	OBS-12	1
or	16" star burner, only	OBS-16	1
or	24" linear straight burner, only	OBL-24	1
2.	Round burner plate	OBP-12	1
or	Square burner pan (16")	87-BPS-16	1
or	Square burner pan (28")	87-BPS-28	1
or	Rectangular burner pan	87-BPR-32	1
or	Black square burner pan (16")	88-BPS-16	1
or	Black square burner pan (28")	88-BPS-28	1
or	Black rectangular burner pan	88-BPR-32	1
3.	12" star burner / 24" linear straight burner orifice (Nat.)	AB-2-26	1
or	12" star burner / 24" linear straight burner orifice (L.P.)	AM-2-44	1
or	16" star burner orifice (Nat.)	AB-2-23	1
or	16" star burner orifice (L.P.)	AM-2-42	1
4.	Key valve w/ key assembly	AV-30	1
5.	Key (only)	VK-1	1
6.	Pressure regulator (All Nat. models & L.P. Contempo models)	PR-4	1
7.	Flex connector (Nat. only)	3035	1
or	24" L.P. regulator and hose assembly (L.P. only)	5110-07	1
or	36" L.P. regulator and hose assembly (635, 650, 651, 712 L.P. models only)	5110-27	1
or	Flex connector (Nat. & L.P. Contempo models only)	3035	1



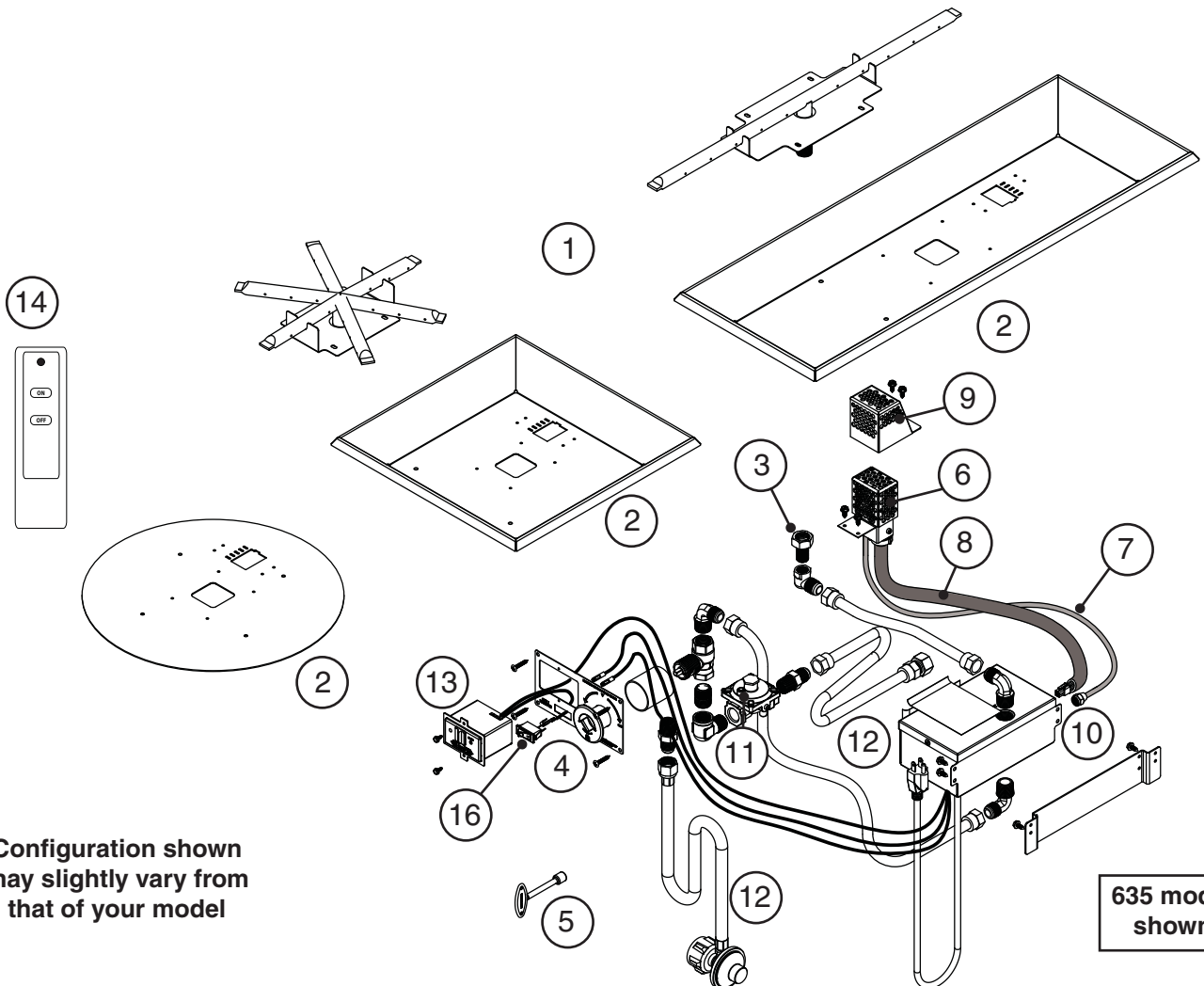
# PARTS LIST (cont.)

## COMMON REPLACEMENT PARTS LIST - F2 / F4 / F6 REMOTE MODELS (select models only)

Item	Description	Part No.	Qty.
1.	12" star burner, only	OBS-12	1
or	16" star burner, only	OBS-16	1
or	24" linear straight burner, only	OBL-24	1
2.	Round burner plate	OBP-12-06	1
or	Square burner pan (16")	87-BPS-16-06	1
or	Square burner pan (28")	87-BPS-28-06	1
or	Rectangular burner pan	87-BPR-32-06	1
or	Black square burner pan (16")	88-BPS-16-06	1
or	Black square burner pan (28")	88-BPS-28-06	1
or	Black rectangular burner pan	88-BPR-32-06	1
3.	Orifice (Nat.) *	AB-2-8	1
or	Orifice (L.P.) *	AM-2-36	1
or	Orifice (Nat.) †	AB-2-E	1
or	Orifice (L.P.) †	AM-2-30	1
4.	Key valve w/ key assembly	AV-30	1
5.	Key (only)	VK-1	1
6.	Pilot assembly	PAC-17	1
7.	Pilot gas line	PGS-1	1
8.	Wire extension	WH-07	1
9.	Pilot screen	OCBE-06-15	1
10.	Valve box assembly	731-701	1

Item	Description	Part No.	Qty.
11.	Convertible regulator (All Nat. models & L.P. Contempo models)	PR-4	1
12.	Flex connector (Nat. only)	CK-5-24SP	1
or	24" L.P. regulator and hose assembly (L.P. only)	5110-07	1
or	36" L.P. regulator and hose assembly (635 L.P. models only)	5110-15	1
or	L.P. regulator and hose assembly (642 L.P. models only)	5110-27	1
or	Flex connector (Nat. & L.P. Contempo models only)	CK-5-24SP	1
13.	Remote kit (includes receiver, transmitter, batteries, bracket)	RR-1A-BK	1
14.	Remote transmitter (only)	AT-R1-1	1
15.	Fuse ‡	24187-48	1
16.	Master switch	SW-11	1
17.	Square wind guard ‡	8202-WG	1
or	Square dining wind guard ‡	8210-WG	1
or	Rectangular wind guard ‡	8204-WG	1
or	Round wind guard ‡	8208-WG	1

\* 635, 640, 645, 782, 783, or 784 models  
 † 642 models  
 ‡ not shown

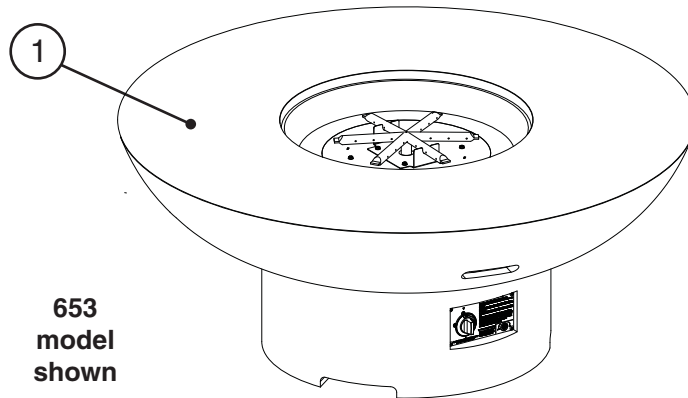


# PARTS LIST (cont.)

## IDENTIFICATION PARTS LIST (One-piece models)

652, 653, 655, 782, 783, 784

Item	Description	Qty.
1.	Complete enclosure assembly	1



## IDENTIFICATION PARTS LIST (Two-piece models)

650

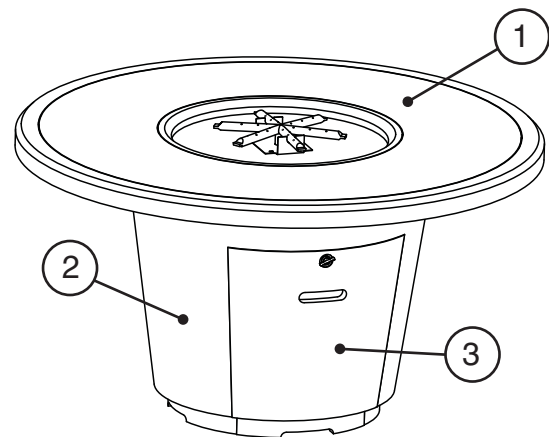
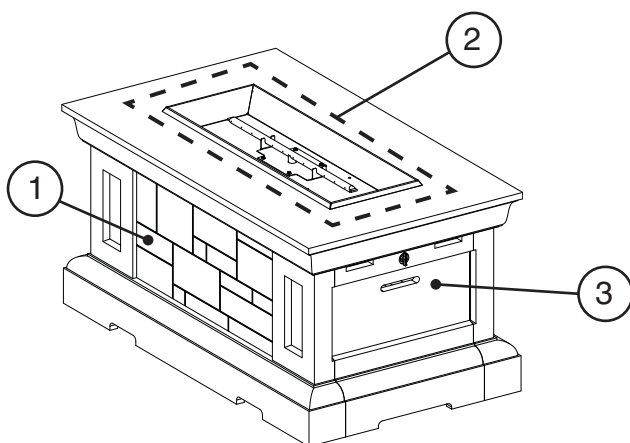
Item	Description	Qty.
1.	Complete enclosure assembly	1
2.	Burner assembly	1
3.	Base door	1

645

Item	Description	Qty.
1.	Top	1
2.	Base	1
3.	Base door	1
4.	Support bracket w/ hardware kit * †	1

\* Not shown

† kit contains: (2) 1/4"-20 x 3.5" bolts, (2) nuts, (4) washers, (1) bracket





# PARTS LIST (cont.)

## IDENTIFICATION PARTS LIST (Three-piece models)

610, 611, 612, 625, 626,  
629, 630, 631, 675, 676

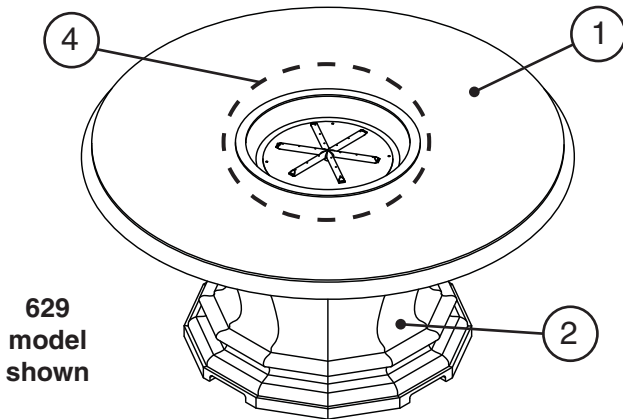
Item	Description	Qty.
1.	Top	1
2.	Base	1
3.	Base door (if equipped) *	1
4.	Burner assembly	1
5.	Hardware kit * † ‡	1
6.	GFRC cover * ▲	1

\* Not shown

† kit contains: (3 or 4) 1/4"-20 x 3 or 4" bolts, (3 or 4) nuts,  
(3 or 4) washers

‡ select models include: (4) 1/4" x 1 3/4" concrete screws

▲ included on select models only



635, 640, 642, 651, 711, 712, 725

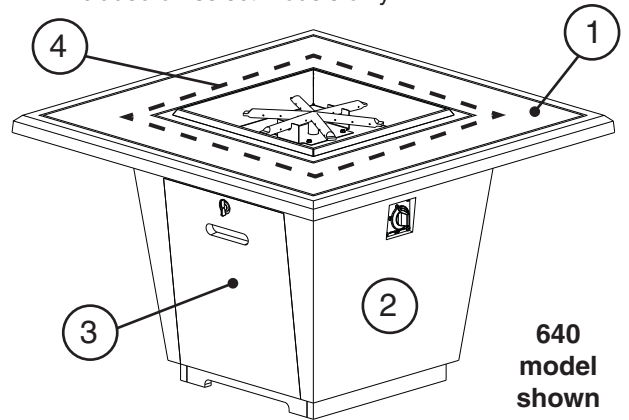
Item	Description	Qty.
1.	Top	1
2.	Base	1
3.	Base door (if equipped)	1
4.	Burner assembly	1
5.	Support bracket w/ hardware kit * †	1
6.	Decorative metal panel * ‡	1
7.	GFRC cover * ▲	1

\* Not shown

† kit contains: (2 or 4) 1/4"-20 x 2" bolts, (2 or 4) nuts,  
(4 or 8) washers, (1 or 2) brackets

‡ Nest models only

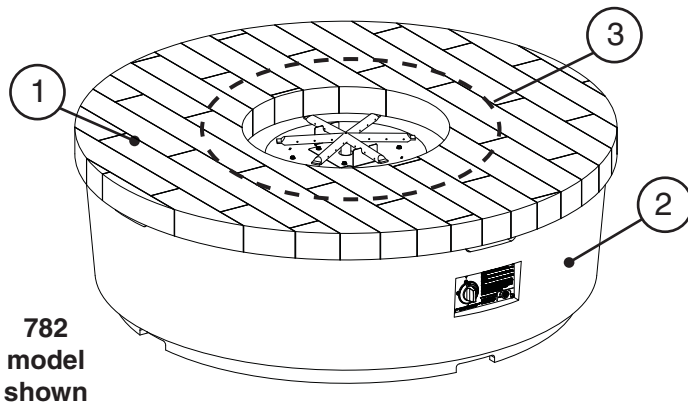
▲ included on select models only



## IDENTIFICATION PARTS LIST (Three-piece models)

782, 783, 784 [French Barrel Oak (FO) Only]

Item	Description	Qty.
1.	Top	1
2.	Base	1
3.	Burner assembly	1



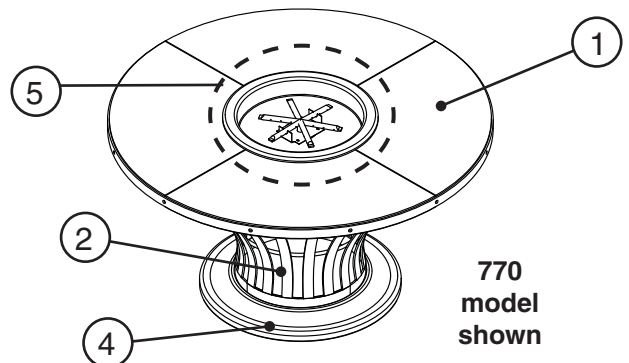
## IDENTIFICATION PARTS LIST (Four-piece models)

770, 775

Item	Description	Qty.
1.	Top	1
2.	Base	1
3.	Base door *	1
4.	Base bottom	1
5.	Burner assembly	1
6.	Hardware kit * †	1

\* Not shown

† kit contains: (3) 1/4"-20 x 3" bolts, (3) nuts, (3) washers  
(4) 1/4" x 1 3/4" concrete screws



## IMPORTANT SAFETY INFORMATION

### **BE CAREFUL**

**If not installed and used correctly per these instructions, this product can cause serious injury.**

**CAUTION:** Installation and maintenance must be done by an NFI Certified or other qualified professional service technician. Read these instructions before installing this unit. Be sure you understand all safety precautions and warnings contained in this manual.

**A. FOR OUTDOOR USE ONLY.**

**B.** When shutting the unit down—be sure to **TURN THE CONTROL VALVE FULLY OFF.**

**C. WARNING: CARBON MONOXIDE POISONING MAY LEAD TO DEATH. DO NOT MODIFY THIS UNIT OR ITS CONTROLS, EXCEPT AS PROVIDED FOR IN THIS MANUAL.** Any other change may be dangerous. Improper installation or use of the unit can cause serious injury or death from fire, burns, explosions, or carbon monoxide poisoning.

**D.** Check state and local codes to determine if the unit is permitted in your locality before installation.

**E.** Select models allow for an adjustable flame height. **THESE SETTINGS MUST ALWAYS BE HIGH ENOUGH FOR THE FLAME TO BE CLEARLY VISIBLE. WHEN LIGHTING THE UNIT, ALWAYS LIGHT ON HIGH.**

## FIRETABLE INSTALLATION

### **BEFORE YOU BEGIN**

**Important:** Prior to installation ensure that all specifications, dimensions, and minimum clearances stated in this manual are observed. You must read all warnings and safety information, and understand all of the information in this manual. **All installation requirements must be observed and met.**

**WARNING:** Failure to position the parts in accordance with these diagrams or failure to use only parts specifically approved with this appliance may result in property damage or personal injury.

- Confirm the installation site accommodates the unit per the requirements in this manual.
- Be sure the gas supply (propane or natural) is turned off at its source.
- **Wear gloves and use extreme caution whenever installing and handling this product and its accessories as certain components have sharp edges that can cause personal injury.**
- Remove all packing material (including any protective coatings) and discard prior to installation.

### **LOCATION**

While following all requirements and safety information in this manual (see MINIMUM CLEARANCES section); determine and prepare the location of the unit (a hard and level surface).

**Note:** For firetables, a combustible surface is permitted.

**Important:** The gas supply and electrical setup must be considered when determining the location of the unit. See **GAS SUPPLY SETUP** and **ELECTRICAL SETUP** section for details (as applicable).

### **FIRETABLE ASSEMBLY**

**Your firetable model falls under one of several methods of assembly. Locate the assembly section that pertains to your model, and closely follow those instructions.**

**ASSEMBLY REQUIRES TWO OR MORE PEOPLE.**

**EXERCISE EXTREME CARE DURING ASSEMBLY AND INSTALLATION.**

## GAS SUPPLY SETUP (if applicable)

### For Natural or Household Propane Gas Supply:

The gas supply is to be brought up from beneath the unit near its center. Your individual installation may vary.

**Observe the National Fuel Gas Code and all local codes.**

1. Route the gas supply into the area that the unit will rest over (see Fig. 19-1, A).

**Note:** The gas supply or another flex can also be routed through the side of the unit (through a ventilation opening at the floor).

**Important:** Locate the gas supply line out of pathways where people may trip over it or in areas where the line may be subject to accidental damage (if applicable).

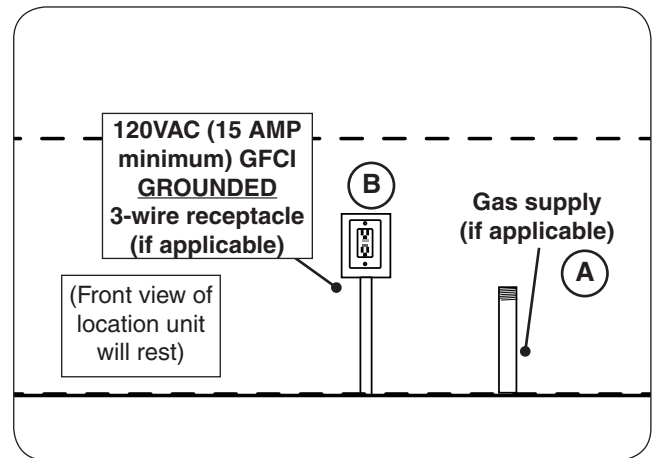
**Note:** A shut-off valve (not included) in the gas line is required. It must be installed within 6 feet of the unit. Use a pipe joint compound resistant to all gasses on all male fittings except flare fittings.

## ELECTRICAL SETUP (if applicable - F models)

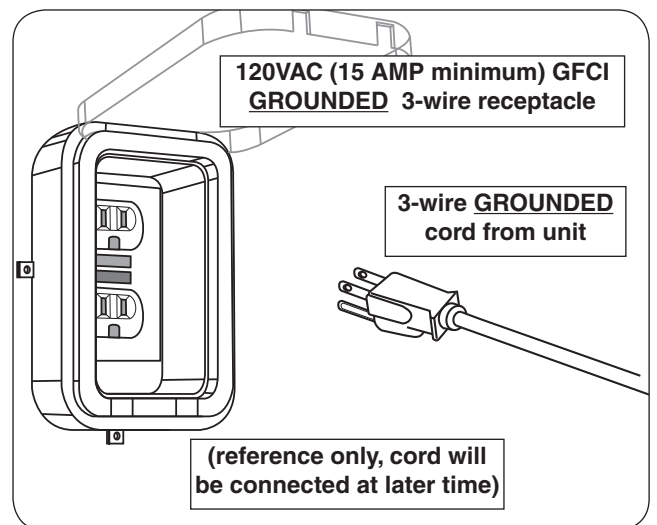
A **120VAC (15 AMP minimum) GFCI GROUNDED 3-wire receptacle** (not included) is required within the vicinity of the firetable to provide power to the unit. The GFCI receptacle must be a WEATHER-PROOF IN-USE COVERED RECEPTACLE. The unit's power supply cord is located on the rear of the valve box. Your individual installation may vary. **Observe the National Electric Code and all local codes.**

1. Wire the receptacle into the area that the unit will rest over (see Fig 19-1, B).
  - **Verify proper polarity of the receptacle.**
  - **If an extension cord is used, ensure it is a 3-wire GROUNDED cord that is rated for the power of the equipment, and is approved for outdoor use with a W-A marking. DO NOT use 2-prong adapters.**
  - **DO NOT TAMPER WITH THE EXTENSION CORD OR THE UNIT POWER-SUPPLY CORD.**

Refer to the appropriate assembly section on the following pages (based on your model series number).



**Fig. 19-1** Route gas and electrical (as applicable)



**Fig. 19-2** Electrical setup detail

# FIRETABLE INSTALLATION (cont.)

## FIRETABLE: ONE-PIECE MODELS

### 652, 653, 655, 782, 783, 784 Models

**Note:** For 782, 783, and 784 models with French Barrel Oak (FO) tops, refer to THREE-PIECE MODELS, and locate the 782, 783, 784 (FO models only) section.

These models do not require any additional assembly. Locate the unit (see Fig. 20-1, and refer back to the LOCATION section if needed).

### Remove Burner Assembly (if needed)

For models without a storage door, the burner assembly must be removed to gain access for gas supply connection.

1. Use a  $5/16$ " nut driver to partially unfasten the four screws found on the burner assembly. Then carefully remove the burner and set it off to the side. See Fig. 20-2.

**Note:** **DO NOT** completely remove the screws - to ensure the burner brackets (beneath) remain assembled.

Remove with care to prevent damage to the electrical and/or gas connections.

### Remove Storage Door (if equipped)

Remove the storage door by first turning the door handle counter-clockwise, then carefully pulling the door outward (see Fig. 20-2). Store in a safe location.

### Mount Unit (select models only)

**CAUTION:** The unit MUST be mounted to the installation site floor. Failure to do so can cause property damage, personal injury, and/or damage to the unit.

1. Using appropriate mounting hardware for the floor material/construction, secure the unit into the floor. The interior of the unit has three  $1/2$ " holes that will allow for the unit to be fastened to the floor. See Fig. 20-4.

**Note:** **DO NOT** overtighten (to avoid damage to the unit).

Proceed to the **CONNECT GAS SUPPLY** section.

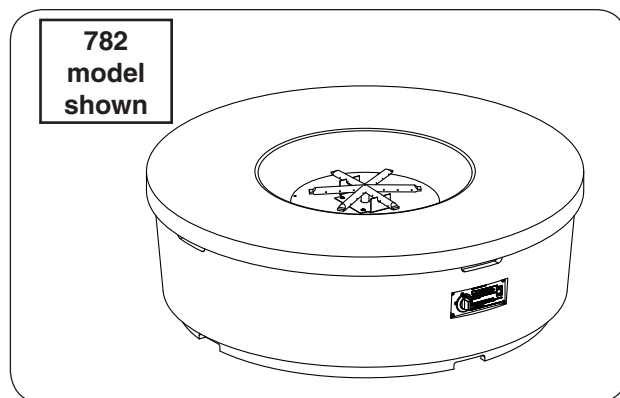


Fig. 20-1 Place unit

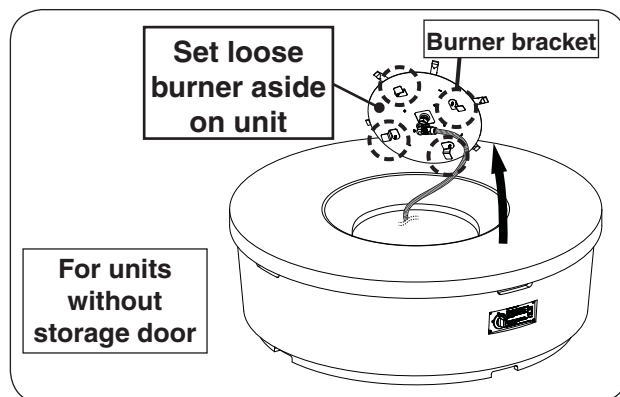


Fig. 20-2 Remove burner assembly (if needed)

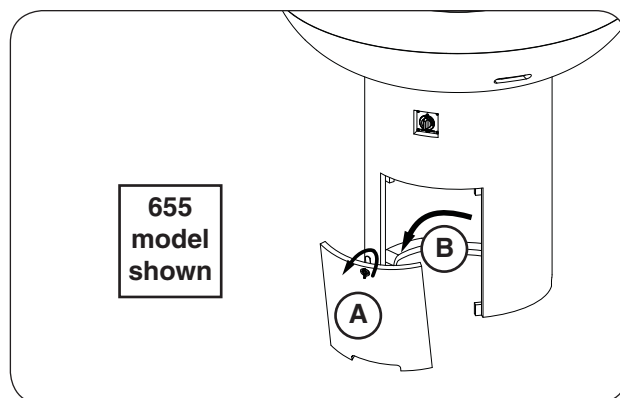


Fig. 20-3 Remove door (if equipped)

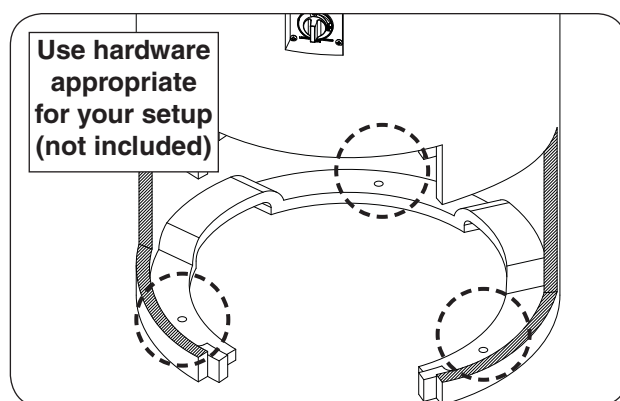


Fig. 20-4 Mount unit to floor

## FIRETABLE INSTALLATION (cont.)

### FIRETABLE ASSEMBLY: TWO-PIECE MODELS

**Note:** Refer to the following page for additional two-piece models.

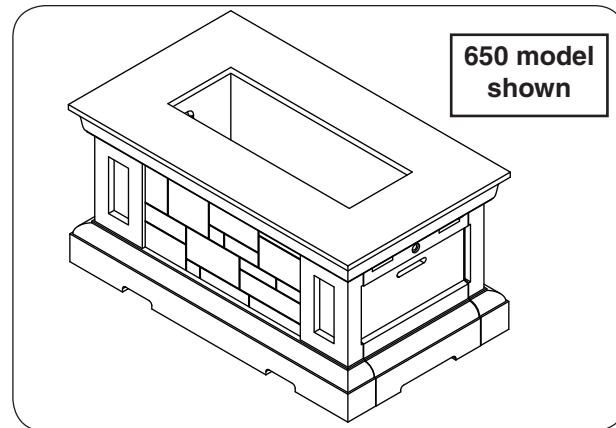
#### 650 Models

1. **CAREFULLY** place the unit in an appropriate location (see Fig. 21-1, and refer back to the LOCATION section if needed).
2. Remove the storage door by first turning the door handle counter-clockwise, then carefully pulling the door outward (see Fig. 21-2). Store in a safe location.
3. Drop the burner assembly into the opening in the center of the firetable top (see Fig. 21-3, A).

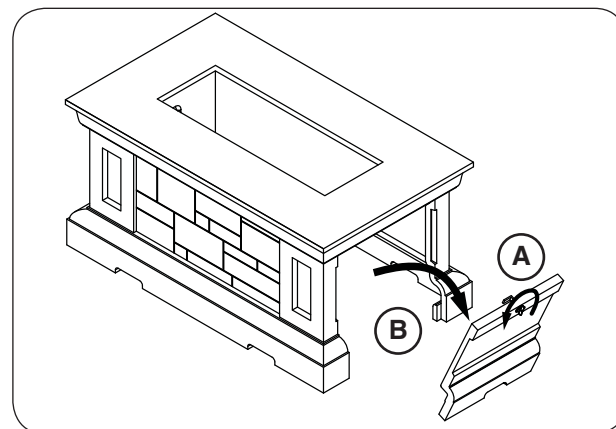
**Important:** Ensure that the burner assembly is correctly inserted without any obstructions between it and the firetable top. It must sit flat.

4. Locate the flex connector (marked **OUT**) that is coming off the valve assembly. Route it to the connection found on the underside of the burner assembly and connect. Tighten securely. See Fig. 21-3, B.

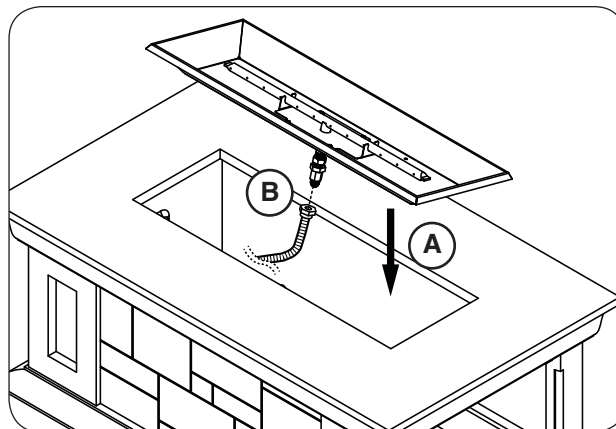
Proceed to the **CONNECT GAS SUPPLY** section.



**Fig. 21-1** Place unit



**Fig. 21-2** Remove door



**Fig. 21-3** Place burner and connect flex

# FIRETABLE INSTALLATION (cont.)

## 645, 651 Models

1. **CAREFULLY** place the base in an appropriate location (see Fig. 22-1, and refer back to the LOCATION section if needed).
2. If equipped, remove the storage door by first turning the door handle counter-clockwise, then carefully pulling the door outward (see Fig. 22-2). Store in a safe location.
3. **CAREFULLY** place the top on the unit (see Fig. 22-3, A).

**Note:** For 645 models, ensure that the markings on its underside align with the door opening.

4. Locate the flex connector (marked OUT) that is coming off the valve assembly. Route it to the connection found on the underside of the firetable top and connect. Tighten securely. See Fig. 22-3, B.
5. Locate the supplied support bracket kit and install as shown in Fig. 22-4. The bracket must be inserted into the enclosure through the door opening, aligned with the holes found on the burner pan, and fastened with a 1/2" wrench and the supplied bolts (2), nuts (2), and washers (4).
6. **F Models: connect pilot line and electrical to control box (See Fig. 22-5).**

Proceed to the **CONNECT GAS SUPPLY** section.

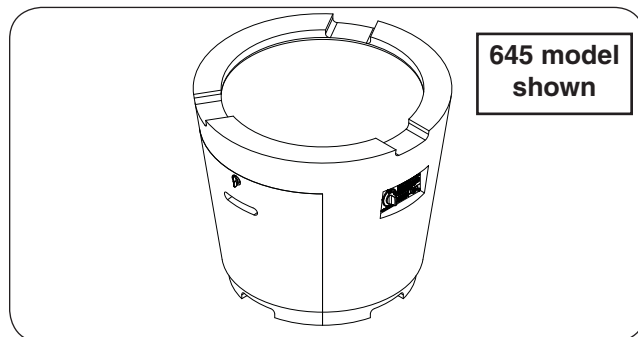


Fig. 22-1 Place base

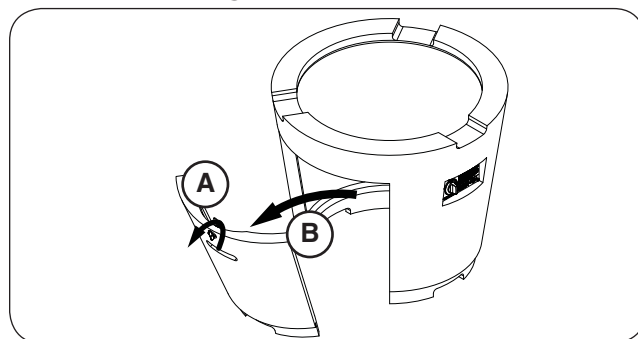


Fig. 22-2 Remove door (if applicable)

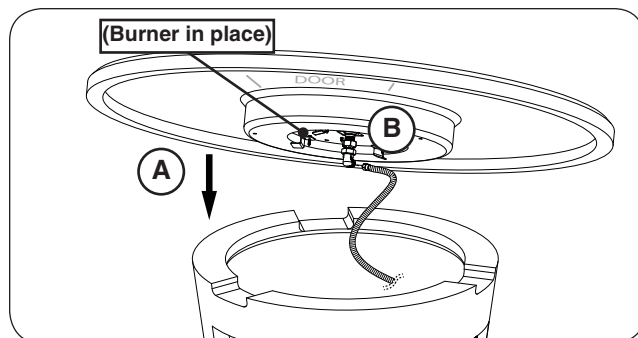


Fig. 22-3 Place top and connect flex

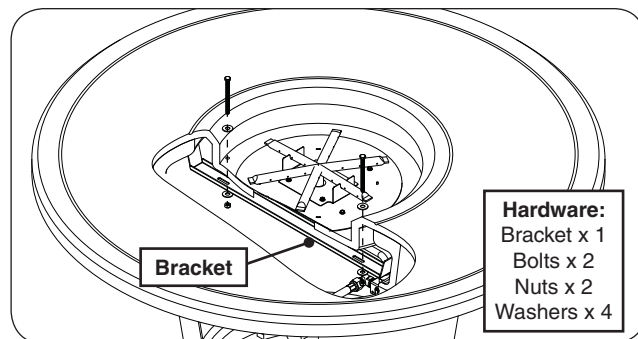


Fig. 22-4 Install bracket

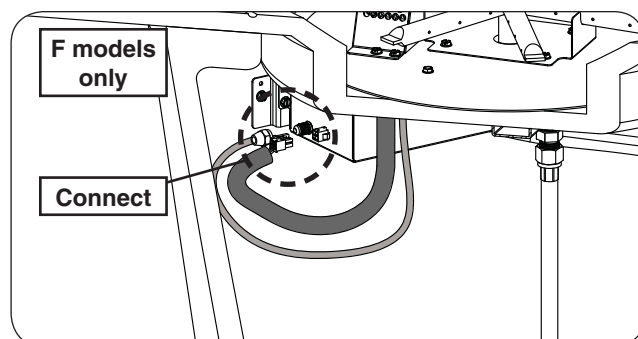


Fig. 22-5 Connect pilot line and electrical

## FIRETABLE INSTALLATION (cont.)

### FIRETABLE ASSEMBLY: THREE-PIECE MODELS

**Note:** Refer to the following 3 pages for additional three-piece models.

#### 610, 611, 612, 625, 626 Models

1. **CAREFULLY** place the base in an appropriate location (see Fig. 23-1, and refer back to the LOCATION section if needed).
2. Remove the storage door by first turning the door handle counter-clockwise, then carefully pulling the door outward (see Fig. 23-2). Store in a safe location.
3. **CAREFULLY** place the top on the unit, ensuring that the markings along its inner ring align with those found on the base (see Fig. 23-3, A).
4. Use a Phillips screwdriver and the supplied bolts (4), nuts (4), and washers (4) to fasten the top to the base as shown in Fig. 23-3, B.
5. Drop the burner assembly into the opening in the center of the firetable top (see Fig. 23-4, A).

**Important:** Ensure that the burner assembly is correctly inserted without any obstructions between it and the firetable top. It must sit flat.

6. Locate the flex connector (marked **OUT**) that is coming off the valve assembly. Route it to the connection found on the underside of the burner assembly and connect. Tighten securely. See Fig. 23-4, B.

Proceed to the **CONNECT GAS SUPPLY** section.

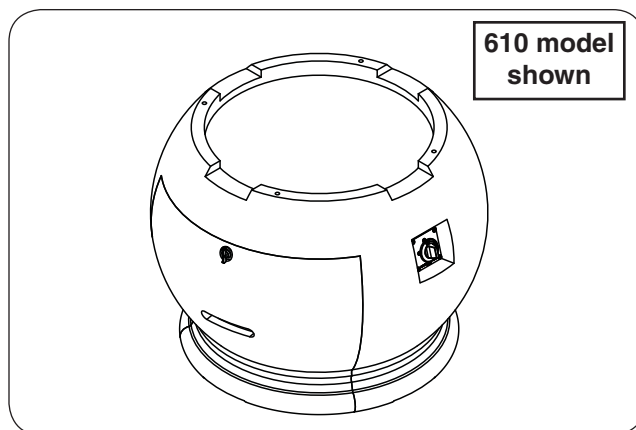


Fig. 23-1 Place base

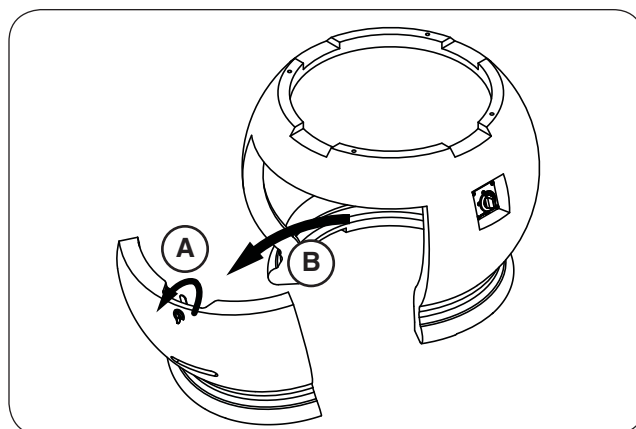


Fig. 23-2 Remove door

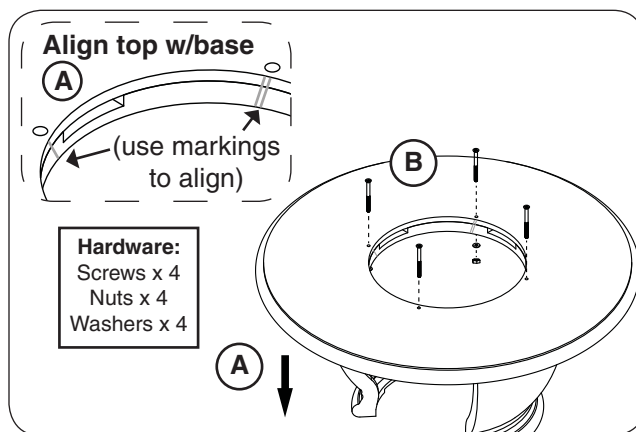


Fig. 23-3 Place top and fasten

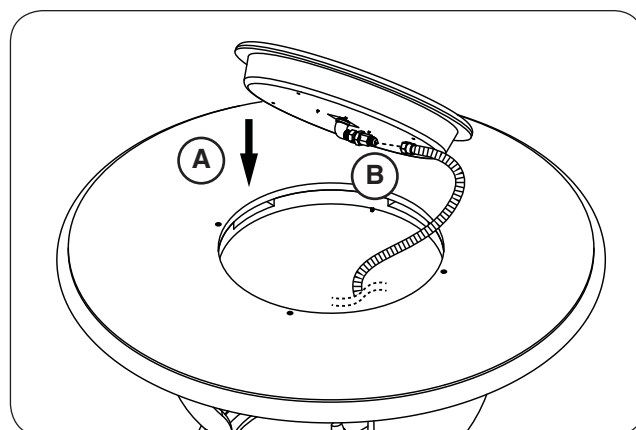


Fig. 23-4 Place burner and connect flex

## FIRETABLE INSTALLATION (cont.)

### 629, 630, 631, 675, 676 Models

1. **CAREFULLY** place the base in an appropriate location (see Fig. 24-1, and refer back to the LOCATION section if needed).
2. Remove the storage door by first turning the door handle counter-clockwise, then carefully pulling the door outward (see Fig. 24-1). Store in a safe location.
3. Place the bracket in the grooves found on the top of the base. Then use a Phillips screwdriver and the supplied concrete screws (4) to fasten the bracket into the base as shown in Fig. 24-2.
4. **CAREFULLY** place the top on the unit, ensuring that the holes in the top piece align with the holes found in the bracket below (see Fig. 24-3, A).
5. Use a Phillips screwdriver and the supplied bolts (4), nuts (4), and washers (4) to fasten the top piece to the bracket as shown in Fig. 24-3, B.
6. Drop the burner assembly into the opening in the center of the firetable top (see Fig. 24-4, A).

**Important:** Ensure that the burner assembly is correctly inserted without any obstructions between it and the firetable top. It must sit flat.

7. Locate the flex connector (marked OUT) that is coming off the valve assembly. Route it to the connection found on the underside of the burner assembly and connect. Tighten securely. See Fig. 24-4, B.

Proceed to the **CONNECT GAS SUPPLY** section.

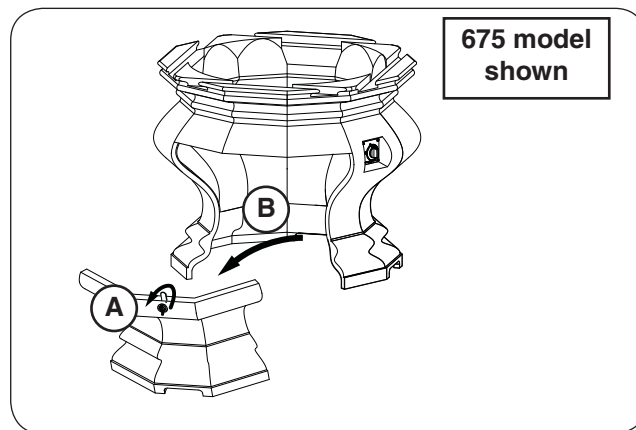


Fig. 24-1 Place base and remove door

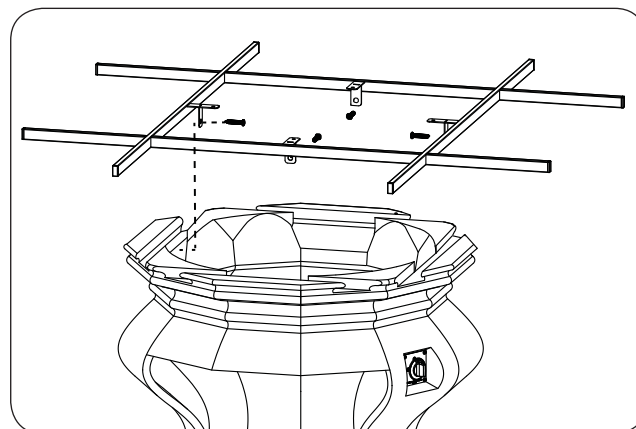


Fig. 24-2 Install bracket

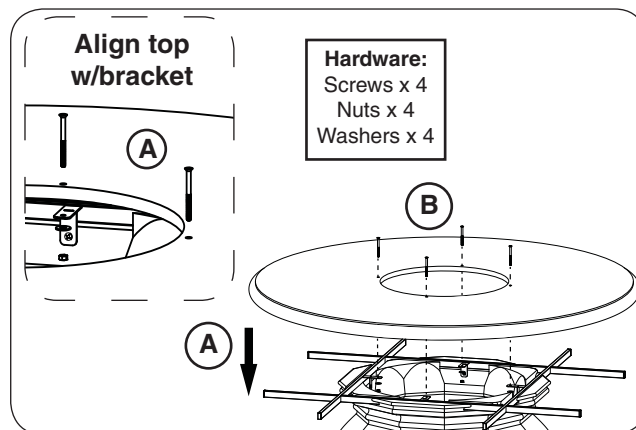


Fig. 24-3 Place top and fasten

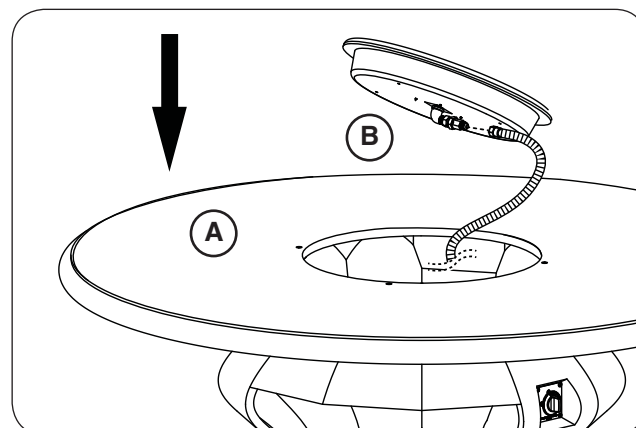


Fig. 24-4 Place burner and connect flex



## FIRETABLE INSTALLATION (cont.)

### 635, 640, 642, 711, 712, 725 Models

1. **CAREFULLY** place the base in an appropriate location (see Fig. 25-1, and refer back to the LOCATION section if needed).
2. Remove the storage door by first turning the door handle counter-clockwise, then carefully pulling the door outward (see Fig. 25-2). Store in a safe location.
3. **CAREFULLY** place the top on the unit (see Fig. 25-3, A).
4. Drop the burner assembly into the opening in the center of the firetable top, with the two burner pan holes facing toward the door (see Fig. 25-3, B).

**Important:** Ensure that the burner assembly is correctly inserted without any obstructions between it and the firetable top. It must sit flat.

5. Locate the flex connector (marked OUT) that is coming off the valve assembly. Route it to the connection found on the underside of the burner assembly and connect. Tighten securely. See Fig. 25-3, C.
6. Locate the supplied support bracket and install as shown in Fig. 25-4. The bracket must be inserted into the enclosure through the door opening, aligned with the holes found on the burner pan, and fastened with a 1/2" wrench and the supplied bolts (2), nuts (2), and washers (4).
7. **F Models: connect pilot line and electrical to control box** (See Fig. 25-5).

Proceed to the **CONNECT GAS SUPPLY** section.

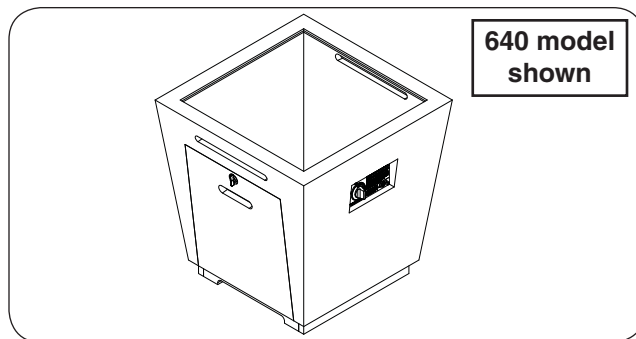


Fig. 25-1 Place base

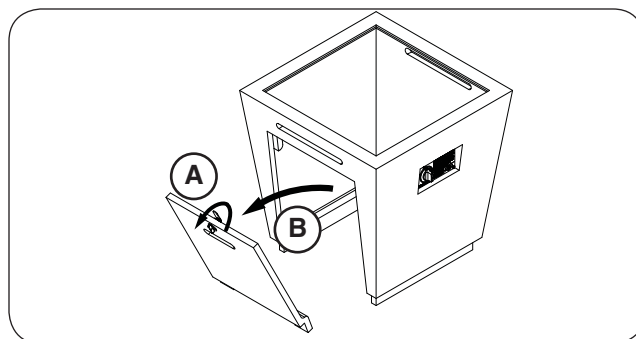


Fig. 25-2 Remove door

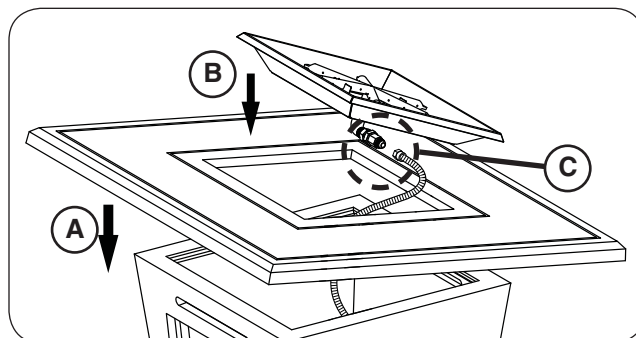


Fig. 25-3 Place top, burner, and connect flex

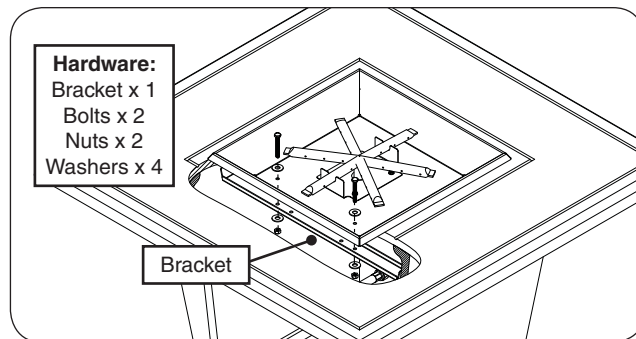


Fig. 25-4 Install bracket

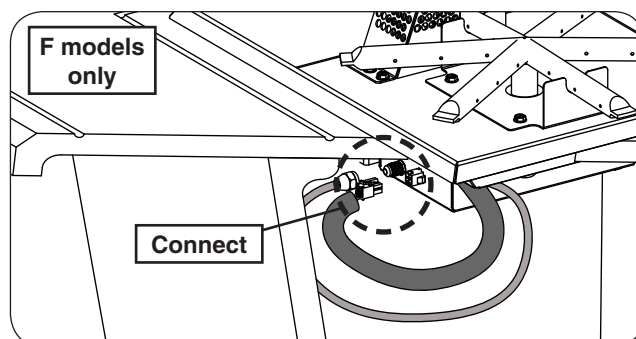


Fig. 25-5 Connect pilot line and electrical

## FIRETABLE INSTALLATION (cont.)

### 782, 783, 784 Models (FO Models only)

1. **CAREFULLY** place the base in an appropriate location (see Fig. 26-1, and refer back to the LOCATION section if needed).
2. Proceed to the **CONNECT GAS SUPPLY** section. **After connecting gas continue to the following step.**
3. **CAREFULLY** place the top on the unit (see Fig. 26-2).
4. **782 Models:**

Use a  $\frac{5}{16}$ " nut driver to partially unfasten the four screws found on the burner assembly. Then carefully remove the burner. See Fig. 26-3, A1.

**Note: DO NOT** completely remove the screws - to ensure the burner brackets (beneath) remain assembled.

Locate the flex connector (marked OUT) that is coming off the valve assembly. Route it to the connection found on the underside of the burner assembly and connect. Tighten securely. Set the burner off to the side. See Fig. 26-3, B1.

#### 783 & 784 Models:

Locate the burner assembly and the flex connector (marked OUT) that is coming off the valve assembly. Route the flex to the connection found on the underside of the burner assembly and connect. Tighten securely. Set the burner off to the side. See Fig. 26-3, A2.

Installation continued on next page

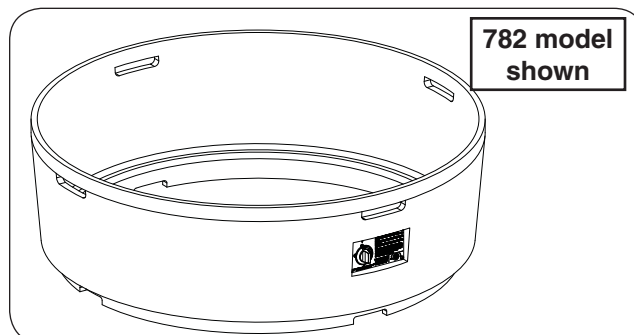


Fig. 26-1 Place base (and connect gas supply)

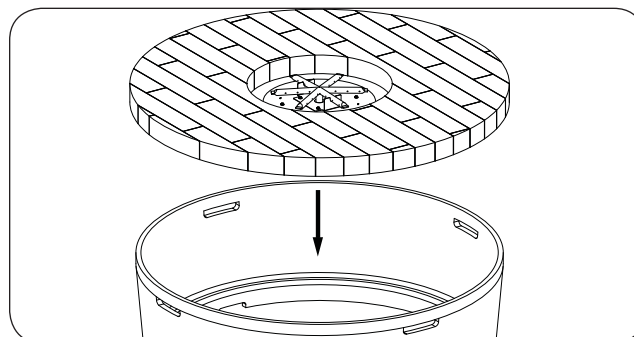


Fig. 26-2 Place top

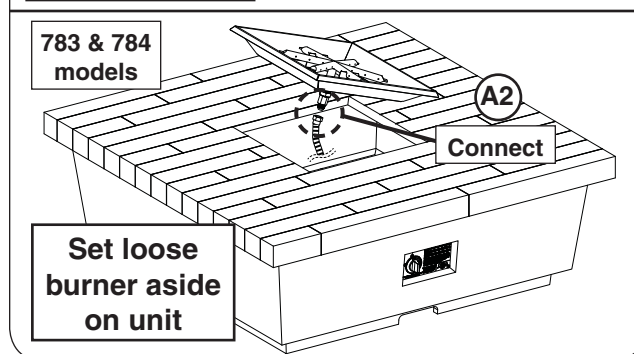
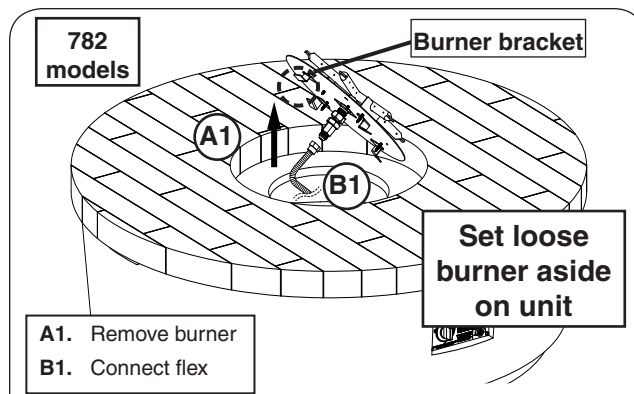


Fig. 26-3 Connect flex

## FIRETABLE INSTALLATION (cont.)

### 782, 783, 784 Models (FO Models only) cont.

For F Models, continue with steps 5-8. For V/K models, proceed to the LEAK TEST section.

5. Use a  $\frac{1}{4}$ " nut driver to unfasten the remote receiver bracket assembly found on the control panel (2 screws). Then carefully remove the assembly. See Fig. 27-1.
6. Locate the 3 exposed wires and connect to the remote receiver and master switch (see Fig. 27-2 and Fig. 27-3).
7. At this stage the burner system batteries are to be installed. Reference the SERVICING AND CLEANING - BATTERY INSTALLATION/REPLACEMENT section for details.
8. Reinstall the remote receiver bracket assembly (see Fig. 27-4).

Proceed to the LEAK TEST section.

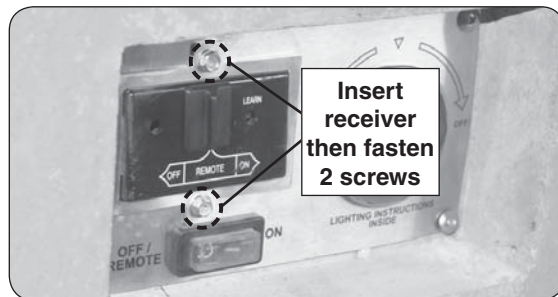


Fig. 27-1 Remove remote receiver assembly

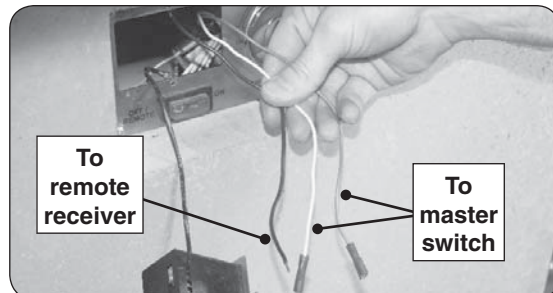


Fig. 27-2 Locate 3 exposed wires

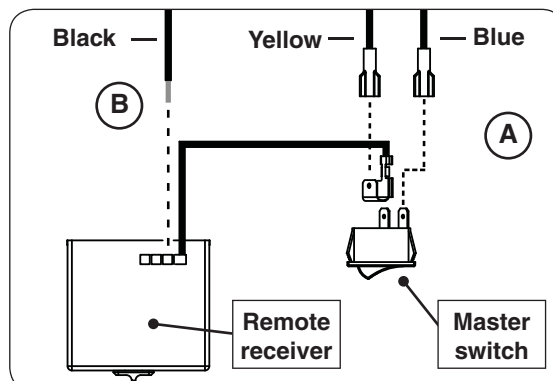


Fig. 27-3 Connect receiver & switch wires

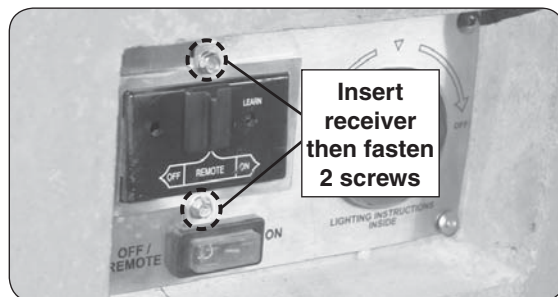


Fig. 27-4 Reinstall remote receiver assembly

## FIRETABLE ASSEMBLY: FOUR-PIECE MODELS

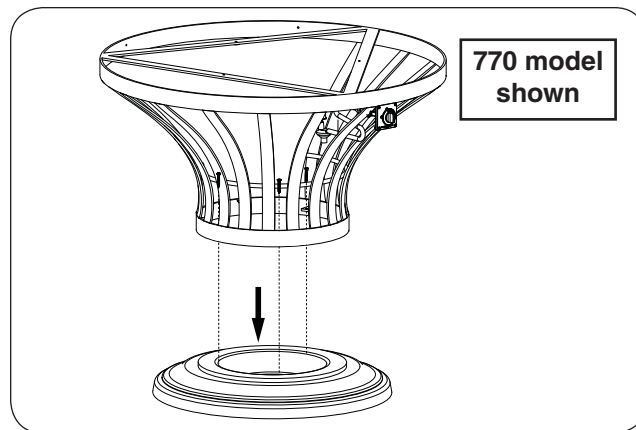
### 770, 775 Models

1. **CAREFULLY** place the base bottom and base in an appropriate location (see Fig. 28-1, and refer back to the LOCATION section if needed).
2. Use a Phillips screwdriver and the supplied concrete screws (3) to fasten the base bottom to the base as shown in Fig. 28-1.
3. Remove the storage door by first turning the two thumb screws counter-clockwise, then carefully pulling the door up and outward (see Fig. 28-2). Store in a safe location.
4. **CAREFULLY** place the top on the unit, ensuring that the holes in the top piece align with the holes found in the bracket below (see Fig. 28-3).
5. Use a Phillips screwdriver and the supplied bolts (3), nuts (3), and washers (3) to fasten the top to the bracket as shown in Fig. 28-3.
6. Drop the burner assembly into the opening in the center of the firetable top (see Fig. 28-4, A).

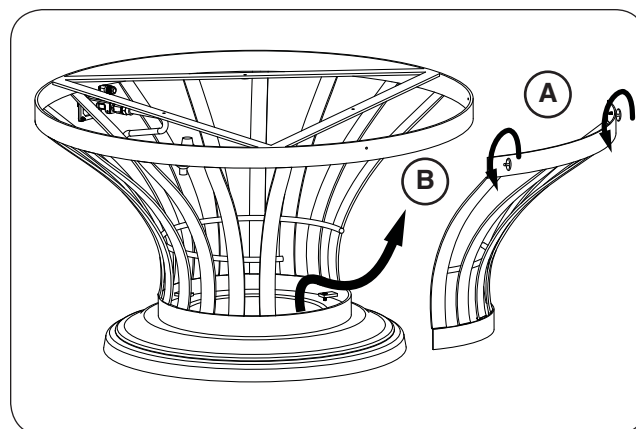
**Important:** Ensure that the burner assembly is correctly inserted without any obstructions between it and the firetable top. It must sit flat.

7. Locate the flex connector (marked **OUT**) that is coming off the valve assembly. Route it to the connection found on the underside of the burner assembly and connect. Tighten securely. See Fig. 28-4, B.

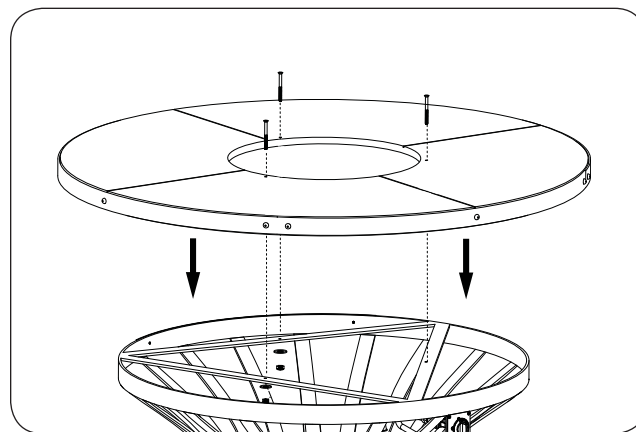
**Proceed to the CONNECT GAS SUPPLY section.**



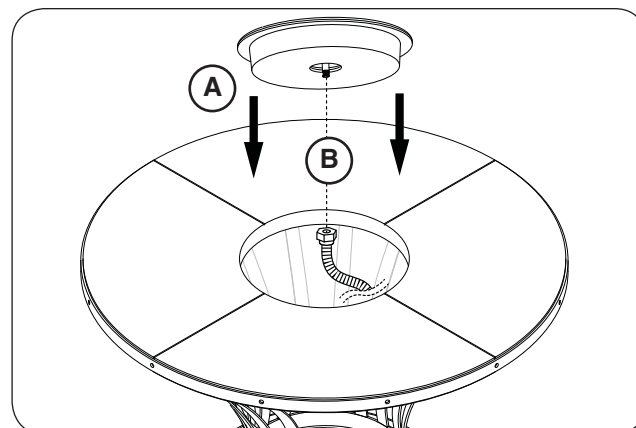
**Fig. 28-1** Place base and fasten



**Fig. 28-2** Remove door



**Fig. 28-3** Place top and fasten



**Fig. 28-4** Place burner and connect flex

# FIRETABLE INSTALLATION (cont.)

## CONNECT GAS SUPPLY

**Important:** Before installation, be sure the gas supply (propane or natural) is turned off at its source.

### To Connect To Propane Cylinder:

1. Locate the regulator hose assembly that is already installed on the rear of the valve assembly.  
For contempo models, an appropriate hose assembly must be purchased separately. See note below.
2. Attach the regulator end of the hose assembly to a propane cylinder (not included) and tighten (see Fig. 29-1).
3. The propane cylinder (not included) is to be located inside the base of the unit, via the storage door opening (see Fig. 29-2).

**Note:** Contempo and select lotus firetables do not accommodate propane cylinders. A cylinder must be located in a safe location, within reach of the unit connections. An appropriate hose assembly must be purchased separately, properly connected to the flex connector (marked IN) that is coming off the valve assembly, and routed through the side of the unit (near floor) to the cylinder. 642 F models require a 2-stage regulator hose assembly (min. BTU capacity 150k). Observe the National Fuel Gas Code and all local codes.

Tank tables and propane extension hoses are available from American Fyre Designs. Contact your local dealer for ordering information.

### To Connect To Natural or Household Propane Gas Supply:

1. Locate the flex connector (marked IN) that is coming off the valve assembly.
2. Locate the gas supply that is beneath the unit (previously routed at beginning of installation).
3. A shut-off valve is required within 6 feet of the unit.

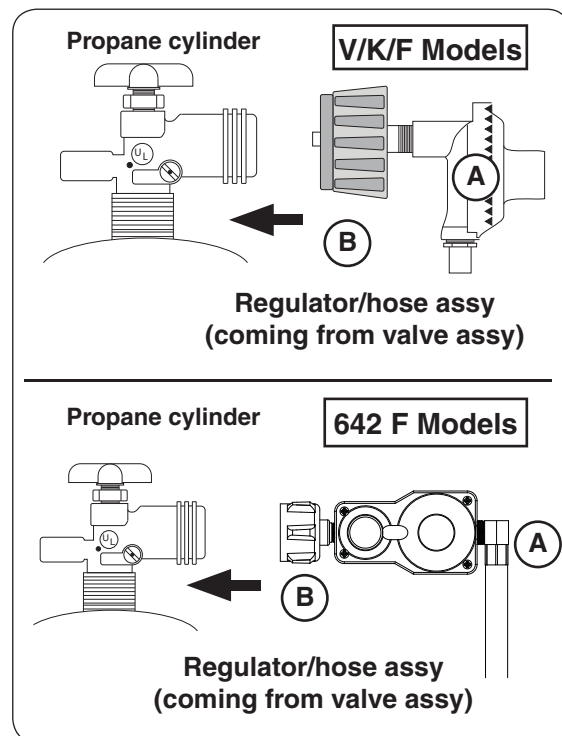
***If shut-off valve is connected to end of gas supply stub:***

- Connect the flex connector to the shut-off valve (see Fig. 29-3). Tighten securely.

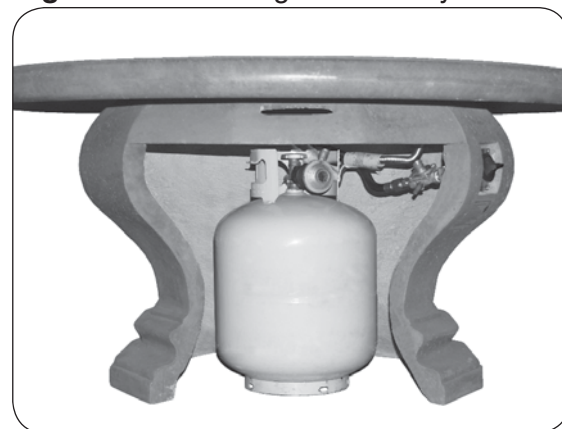
***If shut-off valve is installed in-line:***

- Install the supplied flare adapter to the gas supply using a pipe joint compound resistant to all gasses (see Fig. 29-3). Tighten securely.
- Connect the flex connector to the flare adapter (see Fig. 29-3). Tighten securely.

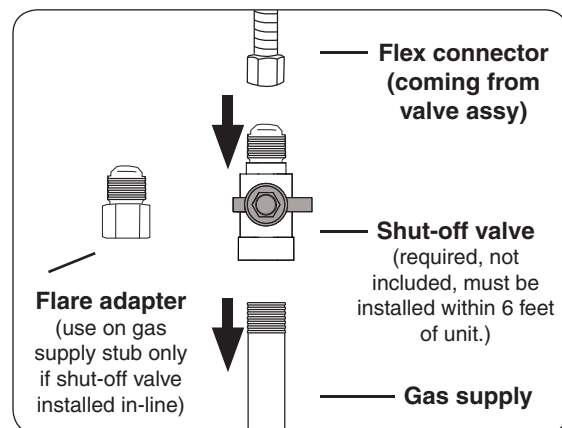
Installation continued on next page



**Fig. 29-1** Connecting to an L.P. cylinder



**Fig. 29-2** L.P. Cylinder placement



**Fig. 29-3** Connecting to a gas line

## LEAK TEST

Turn on the gas supply, and test at all connections for leaks using a soapy water solution. If bubbles appear, a leak is present. Turn off the gas and tighten at all connections. Repeat until no leaks are present. If a leak persists, turn off the gas supply and contact the local gas company or dealer. **NEVER USE A FLAME TO CHECK FOR LEAKS.**

## CONNECT POWER SUPPLY CORD (if applicable - F models)

Route the power supply cord (coming from valve box) to the previously wired **120VAC (15 AMP minimum) GFCI GROUNDED 3-wire receptacle** and connect (see Fig. 30-1).

## INSTALL BATTERIES (if applicable - F models)

At this stage the burner system batteries are to be installed. Reference the **SERVICING AND CLEANING - BATTERY INSTALLATION/REPLACEMENT** section for details.

## INSTALL BURNER ASSEMBLY (if needed)

**Note:** For models with a burner that hangs above the table top, simply drop the burner in place.

1. Ensure that the four burner brackets are turned inward, then insert the burner assembly (see Fig. 30-2, A-B).

**Important:** Ensure the electrical and/or gas connections are clear, undamaged, and completely inserted into the opening. DO NOT pinch the wires.

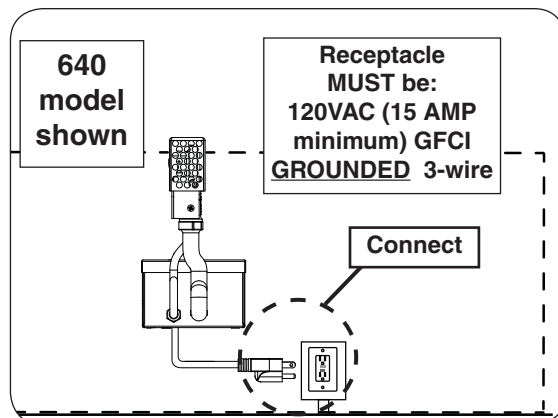
2. Use a  $\frac{5}{16}$ " nut driver to fasten the burner to the base (see Fig. 30-3).

## LIGHTING TEST

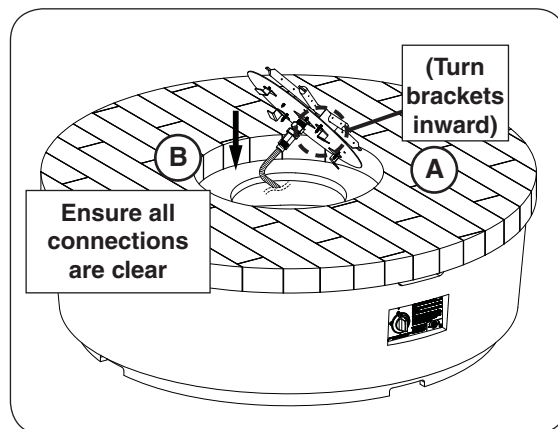
Prior to proceeding with installation, perform a lighting test (see lighting instructions for lighting your burner). **Allow the unit to completely cool after testing.**

## REPLACE STORAGE DOOR (if applicable)

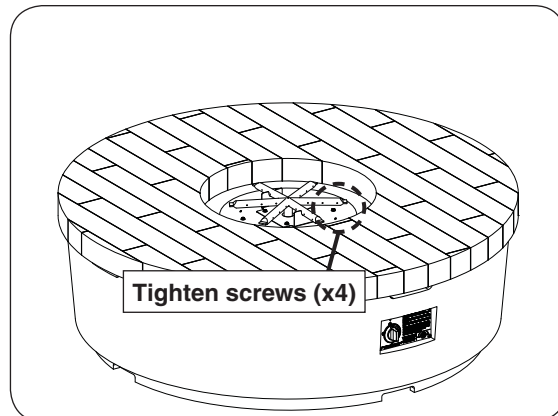
Replace the storage door (that was previously removed during the assembly section). Ensure the door is secure in place (see Fig. 30-4). Door design may vary.



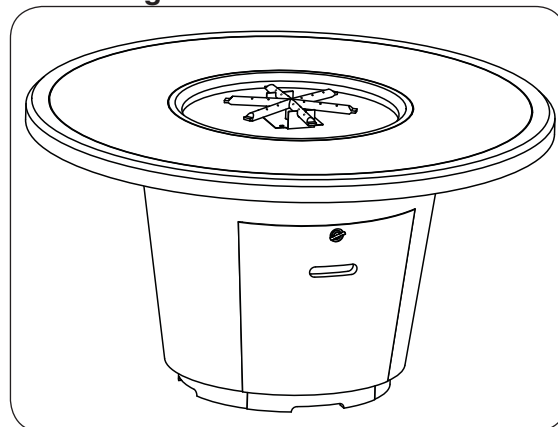
**Fig. 30-1** Route and connect power supply cord



**Fig. 30-2** Insert burner assembly



**Fig. 30-3** Install burner



**Fig. 30-4** Replace storage door

## DECORATIVE MEDIA PLACEMENT

**WARNING:** Failure to position the parts in accordance with these diagrams or failure to use only parts specifically approved with this appliance may result in property damage or personal injury.

**CAUTION:** Be sure the unit and the decorative media are completely cool anytime the media is handled. **Wear gloves whenever installing and handling as certain media may have sharp edges that can cause personal injury.**

**Important:** If applicable, keep the pilot screen clear of decorative media and any other items / debris at all times. This will allow for proper ignition and operation. **DO NOT** cover.

This unit has several options for decorative media. The decorative media is purchased and packaged separately. Contact your local American Fyre Designs dealer for ordering information. Locate the section(s) below that apply to your option(s) chosen and install accordingly.

One of the primary media options (lava or glass) is required for safe operation and proper performance. Place first. All other secondary media is optional.

Reference the SPECIFICATIONS AND DIMENSIONS section for details on the recommended amounts of media.

Decorative media placement is the same for star and linear burners. Star burner models are shown here.

### LAVA MEDIA

Pour the lava granules or lava coals evenly into the burner area (with the exception of the screen - if applicable). The lava should be 1-2" above the burner. See Fig. 31-1 and Fig. 31-2.

**Important:** **DO NOT** exceed a height of 2" above the burner when placing lava media. Ensure no media covers the screen (if applicable). Store any excess media in a safe location.

### VOLCANIC STONES

1. Volcanic stones first require lava media to be placed as a base. See above LAVA MEDIA section to place the lava, then proceed to step 2.
2. Pour the volcanic stones evenly into the burner area (see Fig. 31-3). The stones may form a mound. **Store any excess media in a safe location.**

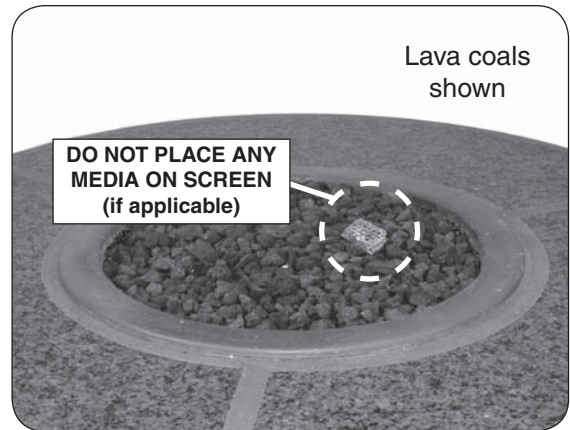


Fig. 31-1 Lava media option

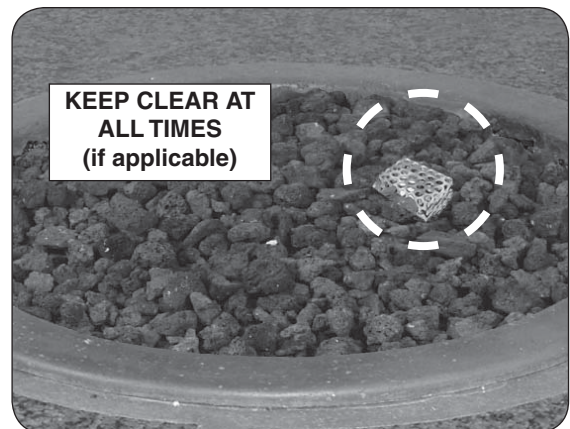


Fig. 31-2 Lava media option

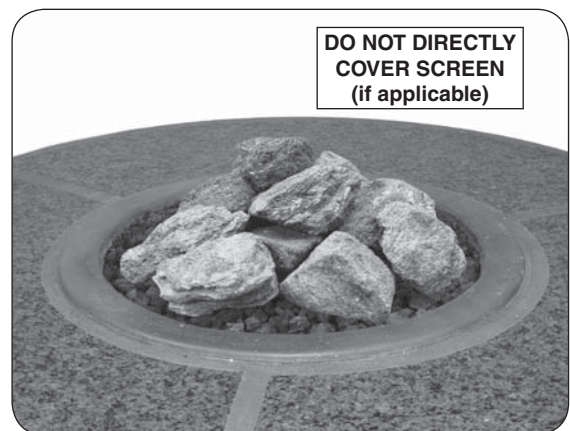


Fig. 31-3 Volcanic stones option

## DECORATIVE MEDIA PLACEMENT (cont.)

### GLASS MEDIA

Pour the glass media (glass, gems) evenly into the burner area (with the exception of the screen - if applicable). The glass should be 1-2" above the burner. See Fig. 32-1.

**Note:** If desired, lava granules may first be used as a base, followed by the glass.

**Important:** **DO NOT** exceed a height of 2" above the burner when placing glass / lava media. **Ensure no media covers the screen (if applicable).** Store any excess media in a safe location.

### ADDITIONAL SECONDARY OPTIONS

**After one of the primary options (lava or glass media) has been properly placed,** various river stone, creekstone, geo shape, wood chunk, and glass nugget options are available. If one of these secondary options are purchased, place them as desired in a decorative pattern on top of the primary media. See Fig. 32-2 for an example.

**Note:** These options are not designed to be placed directly on the burner.

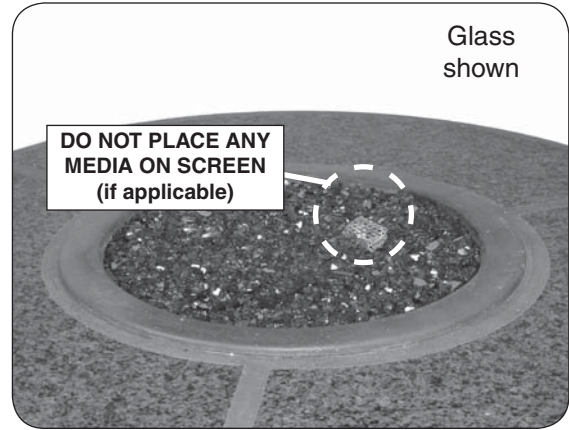


Fig. 32-1 Glass option

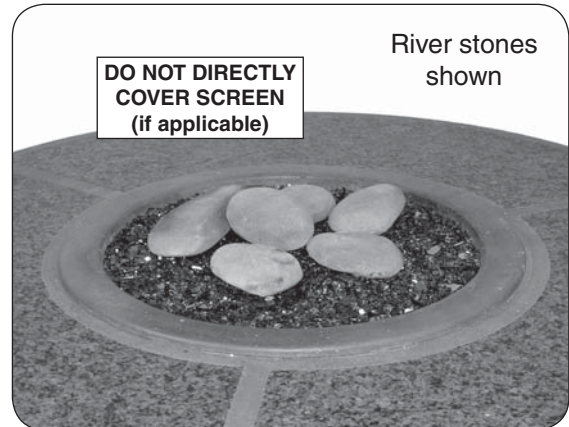


Fig. 32-2 Secondary options



## OPTIONAL GFRC COVER

An optional GFRC cover is available to protect your unit when not in use. Select models include a cover. Contact your local dealer for ordering information.

To install, allow the unit to cool completely, then place the cover as shown in Fig. 33-1.

**Note:** Certain decorative media (such as river stones, logs, etc.) may interfere with the proper placement of the cover. They will need to be removed and stored in a safe location when the cover is in use.

Remove cover before use.

## OPTIONAL FABRIC COVER

An optional fabric cover is available to protect your unit when not in use (select models). Contact your local dealer for ordering information.

To install, allow the unit to cool completely, then place the cover over the unit with the American Fyre Designs logo facing upward. See Fig. 33-2.

Follow all instructions provided with the fabric cover.

**Note:** Certain decorative media (such as river stones, logs, etc.) may interfere with the proper placement of the cover. They will need to be removed and stored in a safe location when the cover is in use.

Remove cover before use.

## OPTIONAL WIND GUARD

An optional wind guard is available to enhance your unit aesthetically and improve its flame appearance (select models). Contact your local dealer for ordering information.

Once assembled, allow the unit to cool completely, then place the accessory onto your firetable, being sure that it is centered over the burner. See Fig. 33-3.

Follow all instructions provided with the wind guard.

**Note: Select models include wind guard.**

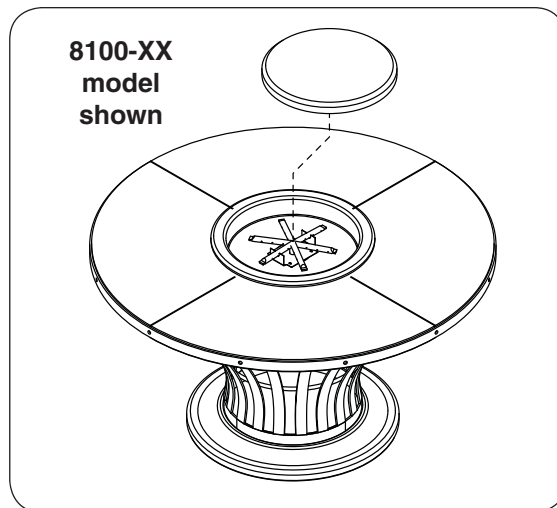


Fig. 33-1 GFRC cover



Fig. 33-2 Fabric cover

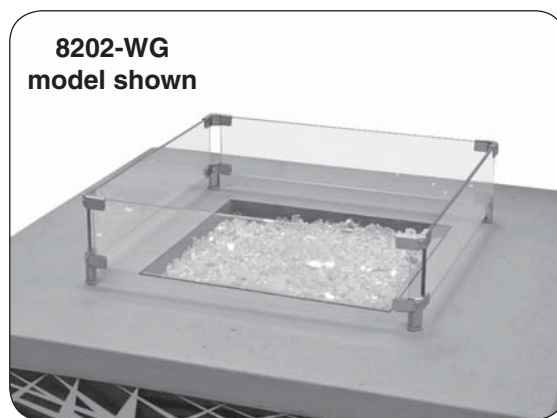


Fig. 33-3 Wind guard

Please use this page to record any information that you may want to have at hand.

# LIGHTING INSTRUCTIONS - CONTROL KNOB MODELS

## FOR YOUR SAFETY, READ BEFORE LIGHTING

**WARNING: IF YOU DO NOT FOLLOW THESE INSTRUCTIONS EXACTLY, A FIRE OR EXPLOSION MAY RESULT, CAUSING PROPERTY DAMAGE, PERSONAL INJURY, OR LOSS OF LIFE.**

- A. BEFORE LIGHTING**, smell all around the unit area for gas. Be sure to smell next to the floor, because some gas is heavier than air and will settle on the floor.
- B. WHAT TO DO IF YOU SMELL GAS**
1. Shut off the gas to the appliance.
  2. Extinguish any open flame.
  3. If odor continues, immediately call your gas supplier or the fire department.
- C.** Use only your hand to push in or turn the gas control knob. Never use tools. If the knob will not push in or turn by hand, **DO NOT** try to repair it. Call a qualified professional service technician. Force or attempted repair may result in fire or explosion.

1. **STOP!** Read the safety information above.
2. Ensure the gas control knob is in the **OFF** position before beginning lighting sequence.
3. Lay a lighted long-stem match on the surface of the decorative media near the burner (**do not hold the match in your hand**) or use a lighted long-necked butane lighter (Fig. 35-1).
4. **Once the match is burning and in position**, depress the gas control knob and turn it counter-clockwise to the **HI LIGHT** position (see Fig. 35-2). Your burner should light.

**WARNING:** If the burner does not light within five (5) seconds of turning the control knob, immediately depress the control knob and turn clockwise to the **OFF** position.

Wait approximately five (5) minutes to clear out any gas, and repeat steps 3-4 above.

**If your burner fails to light again, depress the control knob and turn clockwise to the OFF position and contact your dealer or gas supplier.**

**Note:** The flame height can be adjusted via the control knob.

### TO SHUT OFF GAS TO THE APPLIANCE

**To extinguish your gas burner**, depress the gas control knob and turn it clockwise to the **OFF** position (see Fig. 35-2). Be sure the control knob is turned fully off to avoid any gas leakage.

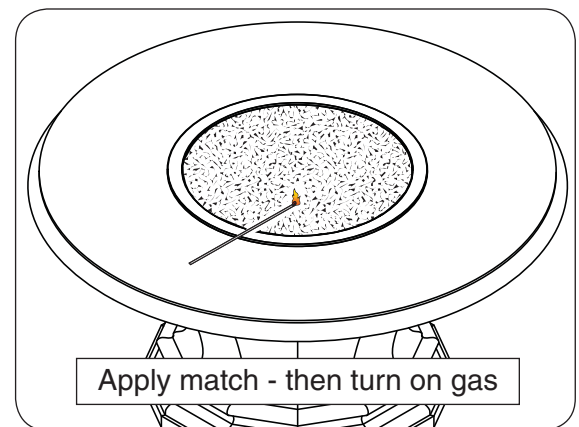


Fig. 35-1

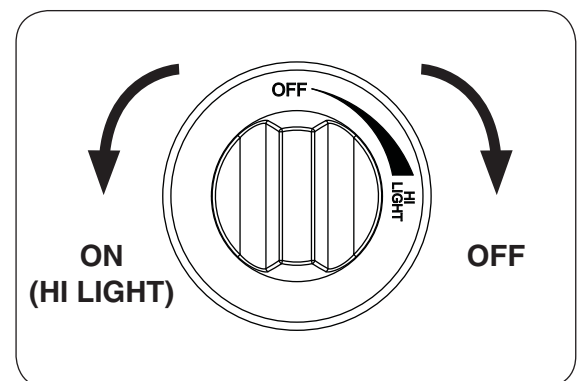


Fig. 35-2

# INSTRUCTIONS D'ALLUMAGE - MODÈLES DE BOUTONS DE CONTRÔLE

POUR VOTRE SÉCURITÉ, LIRE AVANT D'ALLUMER

**AVERTISSEMENT: SI VOUS NE SUIVEZ PAS CES INSTRUCTIONS À LA LETTRE, UN INCENDIE OU UNE EXPLOSION POURRAIENT S'ENSUIVRE, CAUSANT DES DOMMAGES MATÉRIELS, DES BLESSURES OU DES PERTES DE VIE.**

- A. AVANT D'ALLUMER**, sentez tout autour de l'unité de surface pour le gaz. Assurez-vous de sentir près du plancher, car certains gaz sont plus lourds que l'air et se déposent sur le sol.
- B. QUE FAIRE SI UNE ODEUR DE GAZ**
1. Coupez le gaz à l'appareil.
  2. Éteindre toute flamme nue.
  3. Si l'odeur persiste, appelez immédiatement votre fournisseur de gaz ou le service des incendies.
- C.** N'utilisez que votre main pour enfoncer ou tourner le bouton de contrôle du gaz. Ne jamais utiliser d'outils. Si le bouton ne sera pas enfoncer ou à tourner à la main, NE PAS essayer de le réparer. Appelez un technicien de service qualifié. Force ou une tentative de réparation pourrait provoquer un incendie ou une explosion.

1. **ARRÊT!** Lire les consignes de sécurité ci-dessus.
2. S'assurer que le bouton de contrôle du gaz est en position **OFF (éteindre)** avant de séquence d'éclairage à partir la position.
3. Posez une lumineuse à longue tige match sur la surface du support de décoration à proximité de l'anneau brûleur (**ne tenez pas le match en main**) ou utiliser un briquet au butane allumée au long cou (Fig. 36-1).
4. **Une fois que le match est en feu et en position**, appuyer sur le bouton de contrôle du gaz et tournez dans le sens antihoraire à la position de **HI LIGHT (allumer)** (voir Fig. 36-2). Votre brûleur devrait s'allumer.

**AVERTISSEMENT:** Si le brûleur ne se allume pas la lumière dans les cinq (5) secondes de tourner le bouton de commande, appuyez immédiatement sur le bouton de commande et tournez dans le sens horaire à la position **OFF (éteindre)**.

Attendez environ cinq (5) minutes pour laisser échapper tout le gaz, et répétez les étapes 3-4 ci-dessus.

**Si votre brûleur ne s'allume pas, appuyer sur le bouton de commande et tournez dans le sens horaire à la position OFF (éteindre) et contactez votre revendeur ou fournisseur de gaz.**

**Note:** La hauteur des flammes peut être réglée via le bouton de commande.

## POUR ARRÊTER LE GAZ À L'APPAREIL

**Pour éteindre le brûleur à gaz**, appuyer sur le bouton de contrôle du gaz et tournez dans le sens horaire à la position **OFF (éteindre)** (voir Fig. 36-2). Assurez-vous que le bouton de commande est tourné complètement hors tension pour éviter toute fuite de gaz.

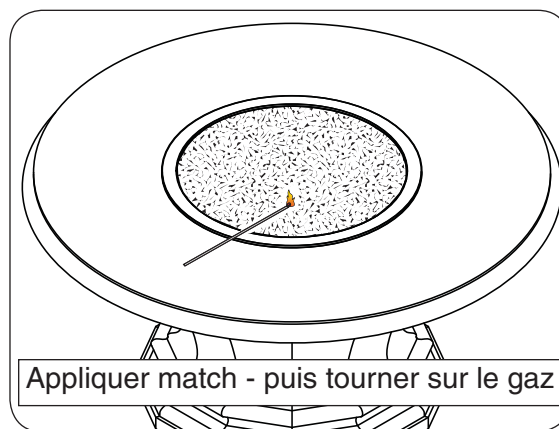


Fig. 36-1

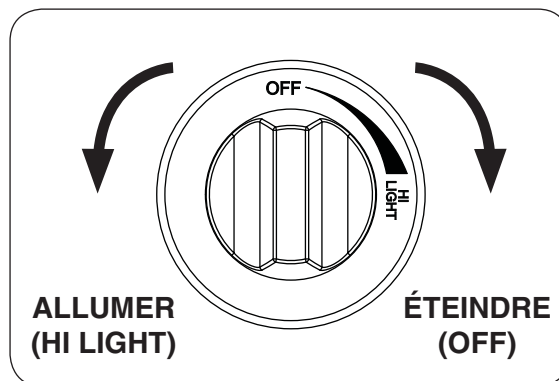


Fig. 36-2

# LIGHTING INSTRUCTIONS KEY VALVE MODELS

## FOR YOUR SAFETY, READ BEFORE LIGHTING

**WARNING: IF YOU DO NOT FOLLOW THESE INSTRUCTIONS EXACTLY, A FIRE OR EXPLOSION MAY RESULT, CAUSING PROPERTY DAMAGE, PERSONAL INJURY, OR LOSS OF LIFE.**

- A. BEFORE LIGHTING**, smell all around the unit area for gas. Be sure to smell next to the floor, because some gas is heavier than air and will settle on the floor.
- B. WHAT TO DO IF YOU SMELL GAS**
1. Shut off the gas to the appliance.
  2. Extinguish any open flame.
  3. If odor continues, immediately call your gas supplier or the fire department.
- C.** Use only a proper key to turn the gas line valve. Never use tools. If the valve will not turn, **DO NOT** try to repair it. Call a qualified professional service technician. Force or attempted repair may result in fire or explosion.

1. **STOP!** Read the safety information above.
2. Ensure the key valve is completely in the **OFF** position before beginning lighting sequence.
3. Lay a lighted long-stem match on the surface of the decorative media near the burner (**do not hold the match in your hand**) or use a lighted long-necked butane lighter (Fig. 37-1).
4. **Once the match is burning and in position**, turn the key valve counter-clockwise a  $1/4$  turn to the **ON** position (see Fig. 37-2). Your burner should light.

**WARNING:** If the burner does not light within (5) seconds of turning on the key valve, immediately turn the key valve clockwise a  $1/4$  turn to the **OFF** position.

Wait approximately five (5) minutes to clear out any gas, and repeat steps 3-4 above.

**If your burner fails to light again, turn the key valve clockwise a  $1/4$  turn to the OFF position and contact your dealer or gas supplier.**

**Note:** The flame height can be adjusted via the key valve.

### TO SHUT OFF GAS TO THE APPLIANCE

**To extinguish your gas burner**, turn the key valve clockwise a  $1/4$  turn to the **OFF** position (see Fig. 37-2). Be sure the key valve is turned fully off to avoid any gas leakage.

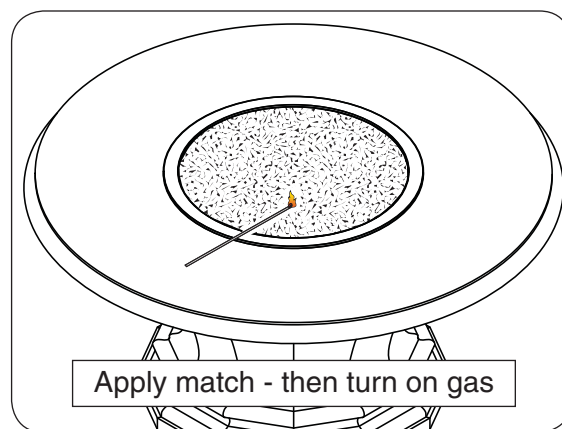
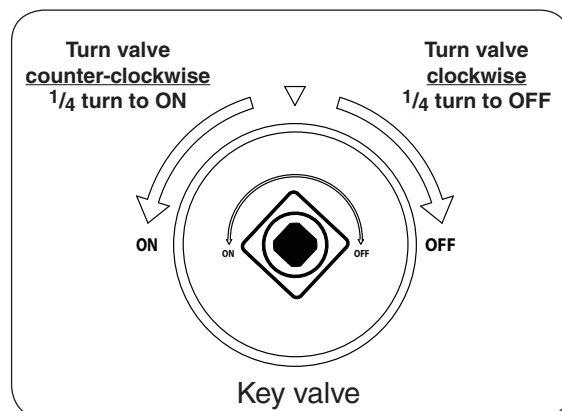


Fig. 37-1



Key valve

Fig. 37-2

# INSTRUCTIONS D'ALLUMAGE - MODÈLE DE VANNE CLÉ

## POUR VOTRE SÉCURITÉ, LIRE AVANT D'ALLUMER

**AVERTISSEMENT: S'IL VOUS NE SUIVEZ PAS CES INSTRUCTIONS À LA LETTRE, UN INCENDIE OU UNE EXPLOSION POURRAIENT S'ENSUIVRE, CAUSANT DES DOMMAGES MATÉRIELS, DES BLESSURES OU DES PERTES DE VIE.**

- A. AVANT D'ALLUMER**, sentez tout autour de l'unité de surface pour le gaz. Assurez-vous de sentir près du plancher, car certains gaz sont plus lourds que l'air et se déposent sur le sol.
- B. QUE FAIRE SI UNE ODEUR DE GAZ**
1. Coupez le gaz à l'appareil.
  2. Éteindre toute flamme nue.
  3. Si l'odeur persiste, appelez immédiatement votre fournisseur de gaz ou le service des incendies.
- C. Utilisez uniquement une clé propre à tourner la vanne de la conduite de gaz. Ne jamais utiliser d'outils. Si la vanne ne tourne pas, NE PAS essayer de le réparer. Appelez un technicien de service qualifié. Force ou une tentative de réparation pourrait provoquer un incendie ou une explosion.**

1. **ARRÊT!** Lire les consignes de sécurité ci-dessus.
2. S'assurer que le robinet est complètement clé en position **OFF (ÉTEINDRE)** avant de séquence d'éclairage à partir.
3. Poser une allumettes à tige longue éclairé sur la surface des médias décoratifs près du brûleur (**ne pas tenir le match en main**) ou utiliser un briquet au butane long cou éclairé (Fig. 38-1).
4. **Une fois que le match est en feu et en position**, tournez la vanne clé sens anti-horaire d'un tour à la position **ON (sur)** 1/4 (voir Fig. 38-2). Votre brûleur devrait s'allumer.

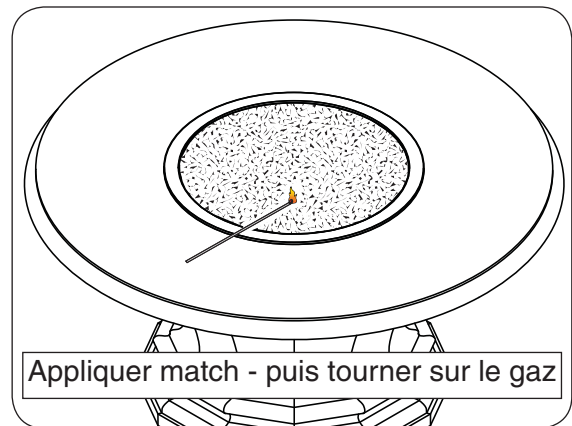


Fig. 38-1

**AVERTISSEMENT:** Si le brûleur ne se allume pas dans les cinq (5) secondes de tourner sur la vanne clé, tournez immédiatement la vanne clé vers la droite d'une tour à la position **OFF (éteindre)** 1/4.

Attendez environ cinq (5) minutes pour laisser échapper tout le gaz, et répétez les étapes 3-4 ci-dessus.

Si votre graveur ne s'allume à nouveau, tourner la soupape clé vers la droite d'une tour à la position **OFF (éteindre)** 1/4 et contactez votre revendeur ou fournisseur de gaz.

**Note:** La hauteur des flammes peut être réglée par la vanne clé.

## POUR ARRÊTER LE GAZ À L'APPAREIL

Pour éteindre votre brûleur à gaz, tourner la soupape clé vers la droite d'une tour à la position **OFF (éteindre)** 1/4 (voir Fig. 38-2). Assurez-vous que la vanne clé est tournée entièrement au large pour éviter toute fuite de gaz.

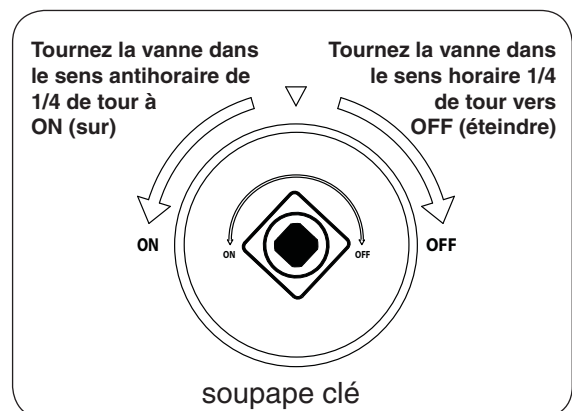


Fig. 38-2

# LIGHTING INSTRUCTIONS - ALL WEATHER REMOTE MODELS

## FOR YOUR SAFETY, READ BEFORE LIGHTING

**WARNING:** If you do not follow these instructions exactly, a fire or explosion may result causing property damage, personal injury or loss of life.

- A. This appliance is equipped with an ignition device that automatically lights the pilot. DO NOT attempt to light the pilot by hand.
- B. **BEFORE LIGHTING**, smell all around the unit area for gas. Be sure to smell next to the floor, because some gas is heavier than air and will settle on the floor.
- C. **WHAT TO DO IF YOU SMELL GAS**
  1. Shut off the gas to the appliance.
  2. Extinguish any open flame.
  3. If odor continues, immediately call your gas supplier or the fire department.
- D. Use only your hand to push in or move the controls. Never use tools. If the control will not push in or move by hand, **DO NOT** try to repair it. Call a qualified professional service technician. Force or attempted repair may result in fire or explosion.

## REMOTE LIGHTING

**CAUTION:** DO NOT attempt to light the pilot by hand.

**Note:** If the remote does not function, and batteries with an adequate power level are installed, refer to the SYNCING THE REMOTE section.

**Note:** Steps 1-2 may not be required if previously done during an earlier lighting.

1. Ensure the master switch is in the **OFF/REMOTE** position (see Fig. 39-1).
2. Locate the 3-position switch on the remote receiver (see wwFig.39-1), and slide the switch to the **REMOTE** position.
3. Turn the ON/OFF key valve counter-clockwise a 1/4 turn to the **ON** position (Fig. 39-2).
4. Locate the remote transmitter and press the **ON** button (see Fig. 39-3). The ignition sequence will begin.

The remote receiver will emit an audible "beep"; then the ignition sequence will begin. After the pilot lights and is established, the valve will automatically open and the burner will light.

**Note:** The ignition sequence will take approximately 10 seconds.

**WARNING:** If the burner fails to light within 10 seconds, press the **OFF** button on the remote transmitter and/or slide the remote receiver switch to the **OFF** position. Allow five (5) minutes for any gas in the unit to dissipate, then repeat steps 1-4 above. **IF YOU SMELL GAS, SEE STEP B ABOVE.**

If the pilot fails to light after several tries, turn all control/remote system components to **OFF** and refer to the TROUBLESHOOTING section for further details.

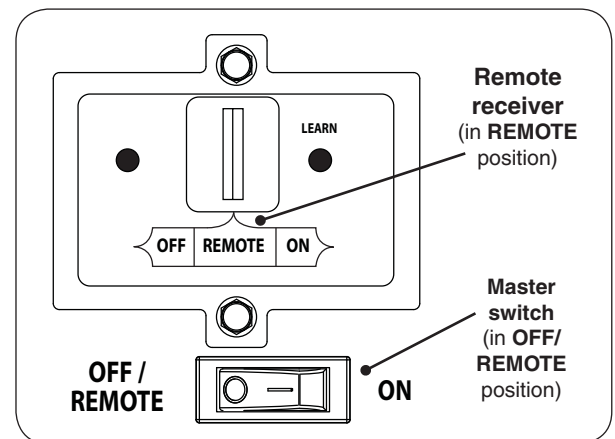


Fig. 39-1 Control panel detail

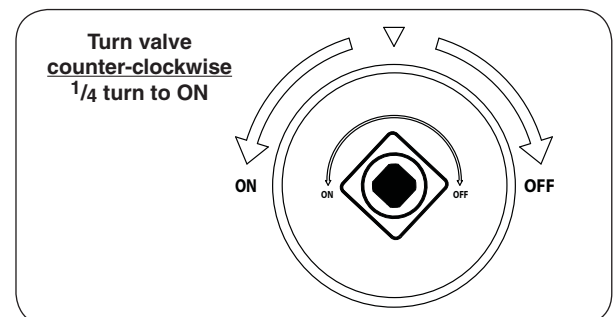


Fig. 39-2 ON/OFF key valve detail

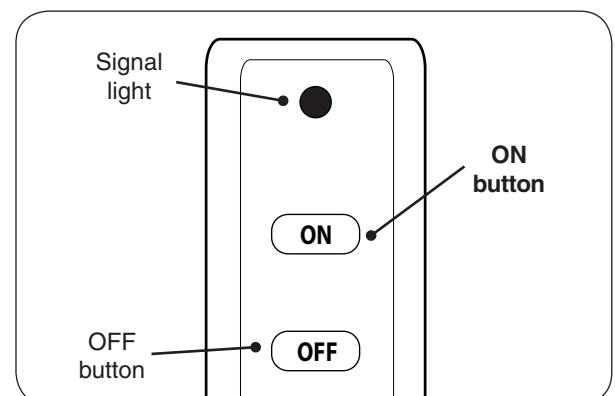


Fig. 39-3 Remote transmitter detail

# INSTRUCTIONS D'ALLUMAGE - DISTANCE TEMPS TOUS LES MODÈLES

## POUR VOTRE SÉCURITÉ LISEZ AVANT D'ALLUMER

**AVERTISSEMENT:** Si vous ne suivez pas ces instructions à la lettre, un incendie ou une explosion entraînant des dommages matériels, des blessures ou des pertes de vie.

- A. Cet appareil est équipé d'un dispositif d'allumage qui allume automatiquement la veilleuse. NE PAS essayer d'allumer la veilleuse à la main.
- B. **AVANT L'ALLUMAGE**, sentez autour de l'unité de surface pour le gaz. Soyez sûr de sentir près du plancher, car certains gaz sont plus lourds que l'air et se déposent sur le sol.
- C. **QUE FAIRE SI UNE ODEUR DE GAZ**
  1. Couper le gaz de l'appareil.
  2. Éteindre toute flamme nue.
  3. Si l'odeur persiste, appelez immédiatement votre fournisseur de gaz ou le service d'incendie.
- D. Utilisez seulement votre main pour pousser ou déplacer les commandes. Ne jamais utiliser des outils. Si la commande ne sera pas à enfoncer ou à déplacer à la main, **NE PAS** essayer de le réparer. Appelez un technicien de service professionnel qualifié. La force ou la tentative de réparation pourrait provoquer un incendie ou une explosion.

### DISTANCE DE L'ÉCLAIRAGE

**ATTENTION:** NE PAS essayer d'allumer la veilleuse manuellement.

**Note:** Si la télécommande ne fonctionne pas, et des batteries avec un niveau de puissance adéquate sont installés, se référer à la section synchronisation des REMOTE.

**Note:** Les étapes 1 et 2 ne peuvent être tenus si elle a déjà fait au cours d'un éclairage plus tôt.

1. Vérifiez que l'interrupteur principal est en position **OFF/REMOTE** (éteindre/éloigné) (voir Fig. 40-1).
2. Repérez l'interrupteur à 3 positions sur le récepteur de télécommande (voir Fig. 40-1), Et faites glisser l'interrupteur à la position **REMOTE**(éloigné).
3. Tournez la SUR/ÉTEINDRE vanne clé de la hauteur dans le sens antihoraire de 1/4 de tour à la position **ON** (sur) (Fig. 40-2).
4. Localisez la télécommande et appuyez sur la touche **ON** (sur) (voir Fig. 40-2). La séquence d'allumage commence.

Le récepteur de télécommande émet un "bip" sonore; et la séquence d'allumage commencera. Après les feux de pilotes et est établie, la vanne se ouvre automatiquement et le brûleur se allume.

**Note:** La séquence d'allumage prendra environ 10 secondes.

**AVERTISSEMENT:** Si le brûleur ne se allume pas dans les 10 secondes, appuyez sur le bouton OFF de la télécommande et / ou faites glisser le commutateur à la position OFF. Autoriser cinq (5) minutes pour tout gaz dans l'unité à se dissiper, puis répétez les étapes 1 et 4 ci-dessus. S'IL Y A UNE ODEUR DE GAZ, voir l'étape B ci-dessus.

Si le pilote ne parvient pas à allumer après plusieurs essais, tournez tout contrôle / composants du système à distance sur **OFF** et se référer à la section dépannage pour plus de détails.

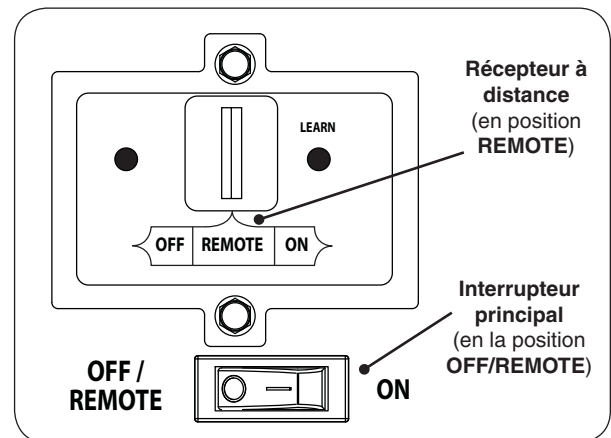


Fig. 40-1 Contrôle détail du panneau

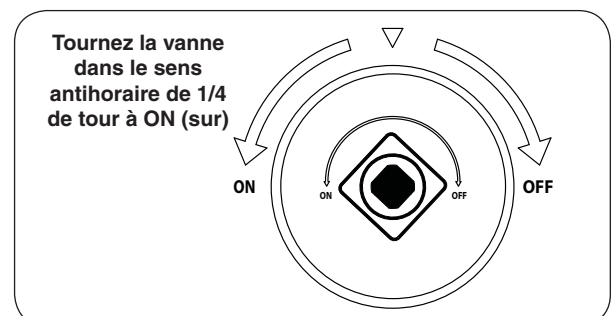


Fig. 40-2 SUR/ÉTEINDRE vanne clé détail

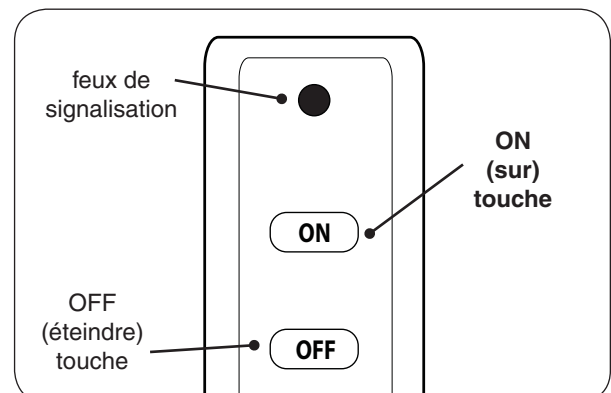


Fig. 40-3 Détail télécommande



## MANUAL LIGHTING

**CAUTION:** DO NOT attempt to light the pilot by hand.

1. Ensure the master switch is in the **OFF/REMOTE** position (see Fig. 41-1).
2. Turn the ON/OFF key valve counter-clockwise a 1/4 turn to the **ON** position (Fig. 41-2).
3. Locate the 3-position switch on the remote receiver (see Fig. 41-1), and slide the switch to the **ON** position.

The remote receiver will emit an audible "beep"; then the ignition sequence will begin. After the pilot lights and is established, the valve will automatically open and the burner will light.

**Note:** The ignition sequence will take approximately 10 seconds.

**WARNING:** If the burner fails to light within 10 seconds, slide the remote receiver switch to the **OFF** position. Allow five (5) minutes for any gas in the unit to dissipate, then repeat steps 1-3 above. **IF YOU SMELL GAS, SEE STEP B AT BEGINNING OF LIGHTING INSTRUCTIONS.**

If the pilot fails to light after several tries, turn all control/remote system components to **OFF** and refer to the TROUBLESHOOTING section for further details.

**Note:** In manual mode, the remote transmitter will not operate the burner system.

## SHUTTING DOWN

**For remote shut down,** press the **OFF** button on the remote transmitter.

**If remote is unavailable,** slide the switch on the remote receiver to the **OFF** position.

**For emergency shut down,** turn the ON/OFF key valve clockwise a 1/4 turn to the **OFF** position.

## MASTER SWITCH

The master switch should remain in the **OFF/REMOTE** position to allow for remote system operation (see Fig. 41-1).

In the event the remote system batteries are dead (or if the system is not functioning) the master switch can be used to turn the burner on and off.

## PILOT APPEARANCE

Periodically check the pilot for proper flame pattern. The pilot should be a steady fame, encircling the flame sensor. It is preset at the factory (see Fig. 41-3).

**If the pilot flame burns incorrectly: shut down completely and refer to the TROUBLESHOOTING section for further details.**

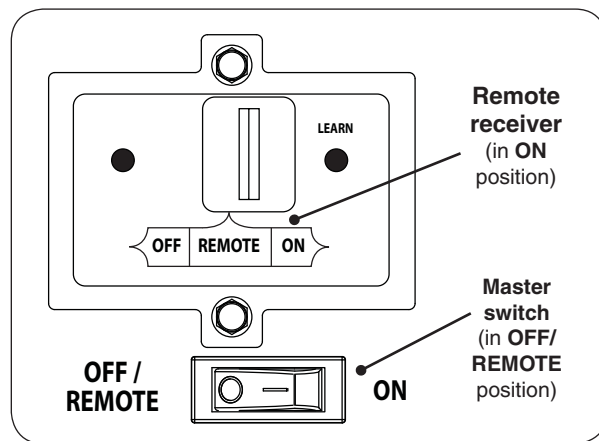


Fig. 41-1 Control panel detail

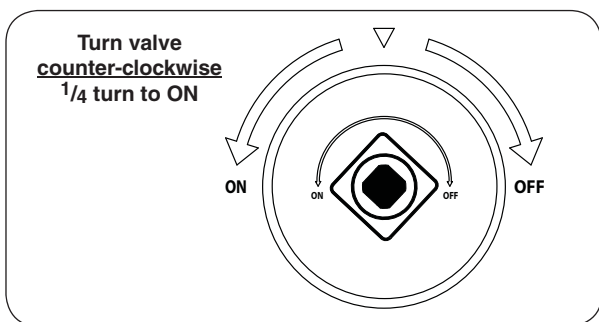


Fig. 41-2 ON/OFF key valve detail

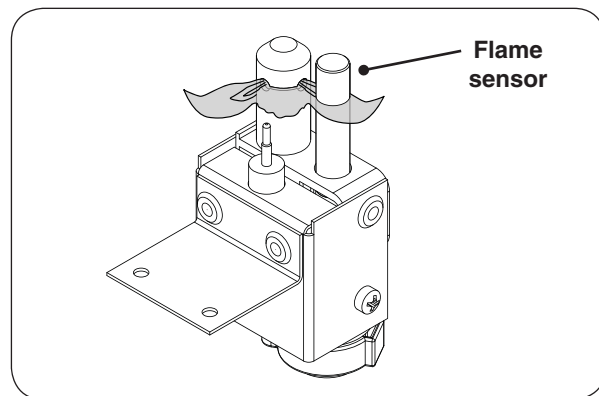


Fig. 41-3 Proper pilot flame

## ÉCLAIRAGE MANUEL

**ATTENTION:** NE PAS essayer d'allumer la veilleuse à la main.

1. Vérifiez que l'interrupteur principal est en position **OFF/REMOTE** (éteindre/éloigné) (voir Fig. 42-1).
2. Tournez la SUR/ÉTEINDRE vanne clé de la hauteur dans le sens antihoraire de 1/4 de tour à la position **ON** (sur) (Fig. 42-2).
3. Repérez l'interrupteur à 3 positions sur le récepteur de télécommande (voir Fig. 42-1), Et faites glisser le commutateur en position **ON** (sur).

Le récepteur de télécommande émet un "bip" sonore; puis l'allumeur commence à susciter. Après les feux de pilotes et est établie, la vanne se ouvre automatiquement et le brûleur se allume.

**Note:** La séquence d'allumage prendra environ 10 secondes.

**AVERTISSEMENT:** Si le brûleur ne parvient pas à allumer dans les 10 secondes, faites glisser le commutateur de récepteur de télécommande à la position **OFF**. Autoriser cinq (5) minutes pour tout gaz dans l'unité à se dissiper, puis répétez les étapes 1-3 ci-dessus. **SI VOUS UNE ODEUR DE GAZ, voir l'étape B AU DÉBUT DE instructions d'allumage.**

Si le pilote ne parvient pas à allumer après plusieurs essais, tournez tout contrôle / composants du système à distance sur **OFF** et se référer à la section dépannage pour plus de détails.

**Note:** En mode manuel, la télécommande ne fonctionnera pas le système du brûleur.

## ARRÊT

**Pour arrêt à distance,** appuyez sur le bouton **OFF** (éteindre) de la télécommande.

**Si la télécommande ne est pas disponible,** faites glisser le commutateur sur le récepteur de la télécommande à la position **OFF** (éteindre).

**Pour d'arrêt d'urgence,** tourner SUR/ÉTEINDRE vanne clé dans le sens horaire un virage vers la position **OFF** 1/4.

## INTERRUPTEUR PRINCIPAL

L'interrupteur principal doit rester dans la position **OFF/REMOTE** (éteindre/éloigné) pour permettre le fonctionnement du système à distance (voir Fig. 42-1).

Dans le cas du système de batteries à distance sont morts (ou si le système ne fonctionne pas) l'interrupteur principal peuvent être utilisés pour allumer le brûleur sur et en dehors.

## ASPECT PILOTE

Contrôler régulièrement le pilote pour motif de flamme correcte. La flamme de la veilleuse doit encercler le détecteur de flamme, et est pré-réglé en usine (Fig. 42-3).

**Si la flamme de la veilleuse brûle mal: fermer complètement et se référer à la section dépannage pour plus de détails.**

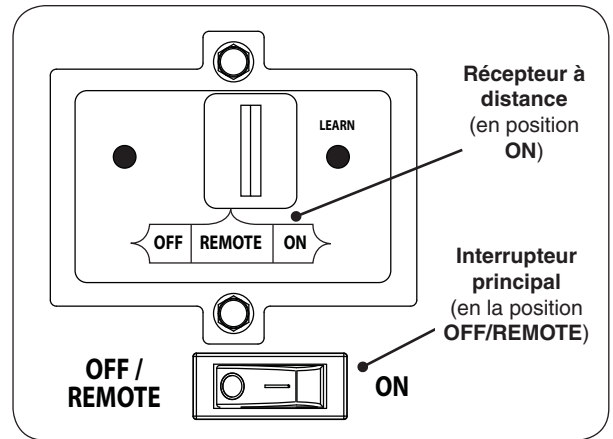


Fig. 42-1 Contrôle détail du panneau

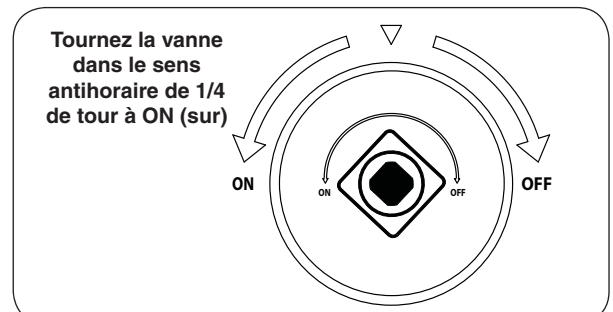


Fig. 42-2 SUR/ÉTEINDRE vanne clé détail

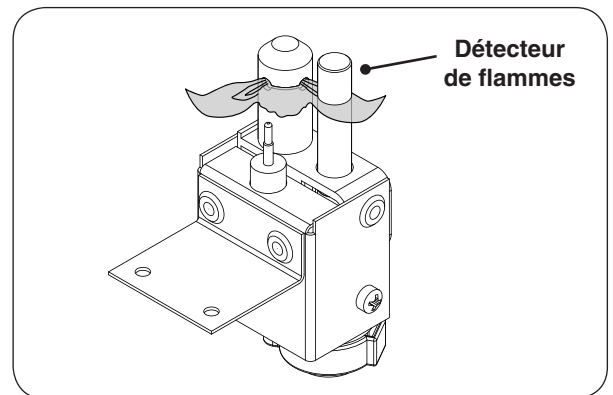


Fig. 42-3 Bonne flamme pilote

## SERVICING AND CLEANING

Each installation site for any unit presents its own unique combustion environment. Specific factors such as weather, wind currents, yard debris, altitude, drafts, the size of the surrounding area, all have an influence on the proper operation of the unit. A normally operating unit will demonstrate the following characteristics:

- A lively, realistic yellow flame
- Odor-free

If the flame is not clean (identifiable by excessive sooting on the decorative media), refer to the information below. Some soot on the media may occur and should not be a concern unless excessive.

- Cover your unit whenever it is completely cool and not in use, and follow the guidelines below at least annually.

### ANNUAL CLEAN / INSPECTION GUIDELINES

The unit and the installation must be inspected annually. Refer to these instructions for details. Performing these procedures will ensure proper operation, appearance, and safety. WEAR GLOVES.

If maintenance is required, it must be done by a qualified professional service technician.

- Always shut off the gas to the unit while performing service work.
- Allow the unit to cool before servicing.
- The entire burner system should be inspected regularly:

Excessive debris can build up on this unit from leaves, dirt, or other debris. It is critical that all control components, burners, pilot/igniter screen (if applicable), vent openings, and the surrounding area be kept clean and free of all obstructions.

Examine that all components are properly assembled / installed as instructed in this manual.

Ensure that all decorative media is properly placed as instructed in this manual.

**Ensure that the pilot/igniter screen on the burner pan is clear of decorative media and any other items/debris.**

Replace batteries as needed. See BATTERY INSTALLATION/REPLACEMENT section for details.

- The burner assembly must be replaced prior to the unit being put into operation if it is evident that the burner is damaged. Contact your local dealer for replacement parts.
- DO NOT use substitute materials when replacing any components of the appliance.
- **Keep the vent openings and surrounding area of the unit clean and free of obstructions at all times.**
- Periodically perform visual checks of the burner flames and pilot flames (if applicable). The burner flames should be blue at the base with a combination of blue/yellow at the body and tips. The pilot (if applicable) should be a steady flame, encircling the flame sensor. Contact a qualified professional service technician for maintenance.
- **To maintain the concrete components**, see the CONCRETE CARE section for details.
- Any guard or other protective device removed for servicing the appliance shall be replaced prior to operating appliance.
- Verify proper operation after servicing.

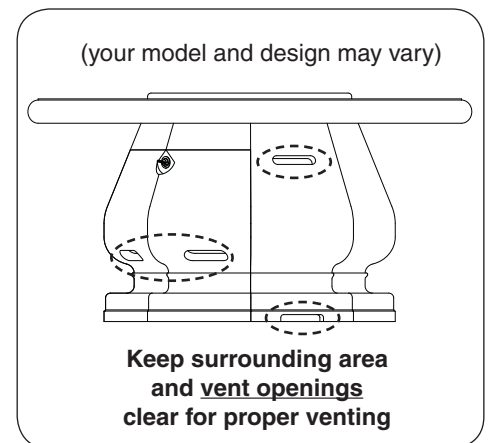


Fig. 43-1

**CAUTION: HOT DURING OPERATION AND AFTER USE. Children must be supervised when in the vicinity of this appliance. Serious injury may occur! Children must be alerted to the hazard of high surface temperatures and should stay away to avoid burns or clothing ignition.**

### CONCRETE CARE

As with any surface, concrete components require regular maintenance and care. Certain guidelines must be followed to preserve the concrete's appearance and structural integrity.

- **Scratches may occur due to usage.** To minimize, avoid striking or dragging heavy, rough, or sharp objects across the table top.
- **Spotting and hairline cracks may occur due to nature of product and are not considered a manufacturing defect.**
- **Concrete products are porous and susceptible to discoloration from liquids (especially oils and acidic substances).** During use, clean up any spills immediately to prevent any possible staining or damage to the finish. Avoid allowing water (or any liquid / substance) to stand on the surface. Using coasters for drinks is highly recommended.
- After each use, clean up as needed.
- **To clean the concrete, first wash with a mild soap and water solution. For stubborn stains, a vinyl brush may be used. Allow to dry. Annually, follow up with a masonry sealer in order to preserve the finish.**
- It should be noted that, like natural stone, concrete products will develop a patina when left outside. No two concrete products are identically the same and the finish will vary.
- **An optional fabric cover is available to protect your unit when cool and not in use (select models).** Contact your local dealer for ordering information.

### FUEL CONVERSION KITS

A certified kit is available from the manufacturer to convert your appliance from natural gas to L.P. or vice versa. Contact your dealer for ordering information.

Follow the instructions provided with the kit when converting.

## SYNCING THE REMOTE SYSTEM (if applicable)

Ensure the burner system is off and completely cool.

Locate the 3-position switch on the remote receiver and slide it to the **REMOTE** position. Use the tip of a pen or a wire clip to push the **LEARN** button and release. See Fig. 45-1. A beep will be heard. Then press and hold the **ON** button on the remote transmitter; a series of beeps should be heard. The remote system is now synced. Refer to the LIGHTING INSTRUCTIONS to test.

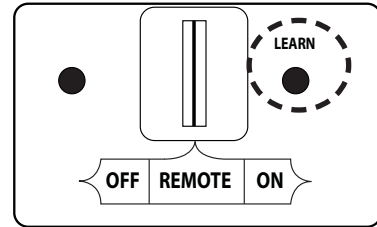


Fig. 45-1 Remote receiver sync detail

## BATTERY INSTALLATION/REPLACEMENT (if applicable)

**CAUTION:** Ensure the unit is connected to the gas line and has been tested for leaks before you insert batteries.

**CAUTION:** Turn off the burner and allow the unit to completely cool prior to any battery replacements.

**Important:** Prior to inserting batteries, always apply a small amount of dielectric grease to both ends of each battery. This will ensure conductivity and prevent moisture from affecting the contact.

**Important:** **Low/dead batteries will affect burner system operation. Replace batteries any time the burner will not turn on.**

### Remote transmitter battery

The remote transmitter requires 1 12V battery to operate (included). Locate the transmitter, remove the lid (found on rear), and properly insert the new battery as marked. Re-secure the lid. See Fig. 45-2.

### Remote receiver batteries

The remote receiver requires 4 AA batteries to operate (included). Locate the receiver on the control panel, remove the 2 hex screws using a 1/4" nut driver, then pull the receiver (and bracket) out of the control panel. Slide open the lid, and properly insert the new batteries as marked. See Fig. 45-3.

Replace the lid, replace the receiver and bracket, and secure using the 2 screws.



Fig. 45-2 Transmitter battery

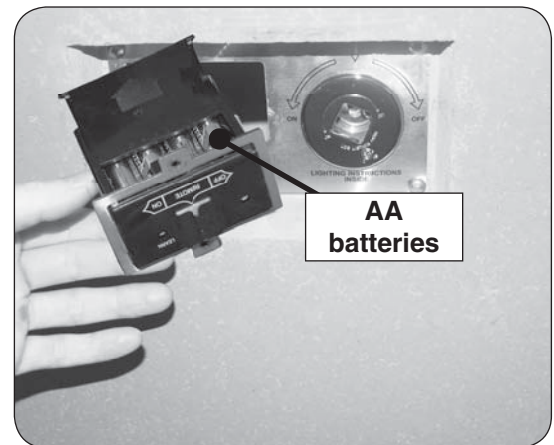


Fig. 45-3 Remote receiver batteries

## FUSE REPLACEMENT (if applicable)

Ensure the gas to the unit is off and the burner system is off and completely cool.

### Cosmopolitan Models Only

1. Remove the storage door by first turning the door handle counter-clockwise, then carefully pulling the door outward. Store in a safe location.
2. Gain access to the valve box from the unit as shown in Fig. 46-2, A-E.

Proceed to step 3 on the next page.

### Contempo Models Only

1. **783 & 784 Models:** Lift burner assembly from the table as shown in Fig 46-1.

**782 Models:** Use a  $\frac{5}{16}$ " nut driver to partially unfasten the four screws found on the burner assembly. Then remove the burner and set it off to the side. See Fig. 46-1.

**Note:** DO NOT completely remove the screws - to ensure the burner brackets (beneath) remain assembled.

Remove with care to prevent damage to the electrical and/or gas connections.

2. Remove the burner and gain access to the valve box as shown in Fig. 46-2, A-D.

Proceed to step 3 on the next page.

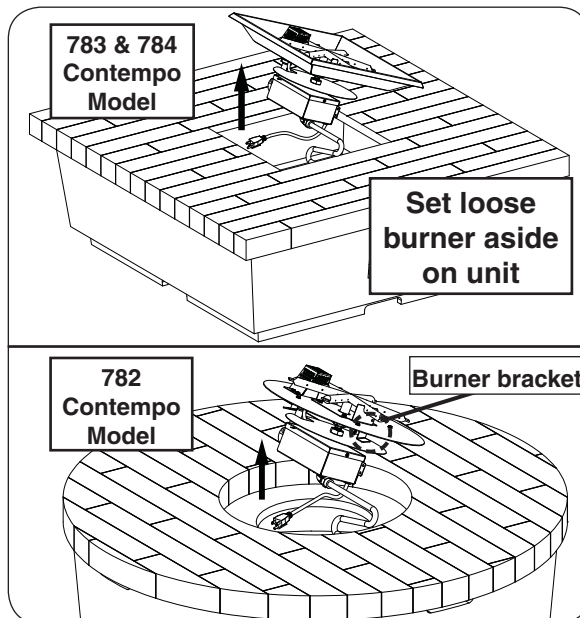


Fig. 46-1 Remove burner assy (if needed)

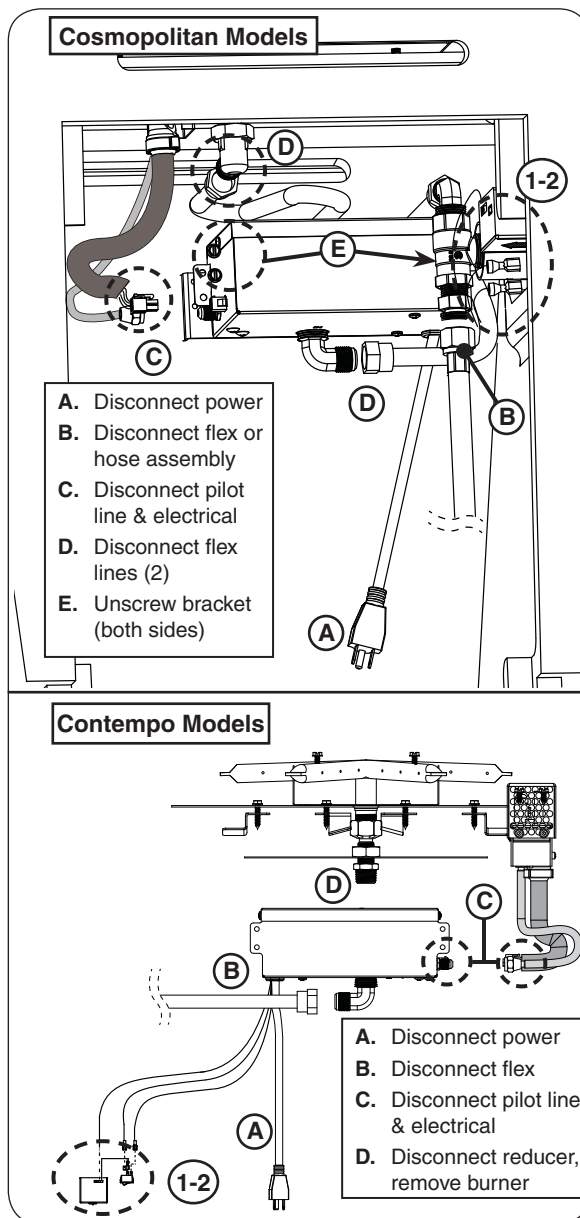


Fig. 46-2 Gain access to valve box

## SERVICE AND CLEANING (cont.)

3. Locate the remote receiver on the control panel, remove the 2 hex screws using a 1/4" nut driver, then pull the receiver (and bracket) out of the control panel. Disconnect the receiver and switch wires as shown in Fig. 47-1, steps 1-2.

The valve box can now be pulled away from the unit.

4. Use a Phillips screwdriver to remove the access panel of the valve box (see Fig. 47-2).
5. "Push in and twist" the fuse holder (red wire), exposing the fuse (see Fig. 47-3).
6. Replace the fuse accordingly (3AG 2 AMP).
7. Reassemble the fuse holder and access panel. Reinstall the remote receiver, valve box, and burner assembly (if applicable).

If replacing burner assembly, ensure the electrical and/or gas connections are clear, undamaged, and completely inserted into the opening. DO NOT pinch the wires.

8. **LEAK TEST:** Turn on the gas supply, ignite the burner, and test at all connections for leaks using a soapy water solution. If bubbles appear, a leak is present. Turn off the gas and tighten at all connections. Repeat until no leaks are present. If a leak persists, turn off the gas supply and contact the local gas company or dealer. **NEVER USE A FLAME TO CHECK FOR LEAKS.**
9. Replace the storage door (if applicable).

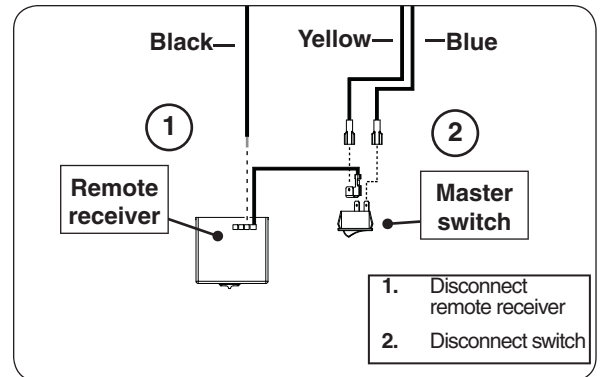


Fig. 47-1 Disconnect receiver & switch wires

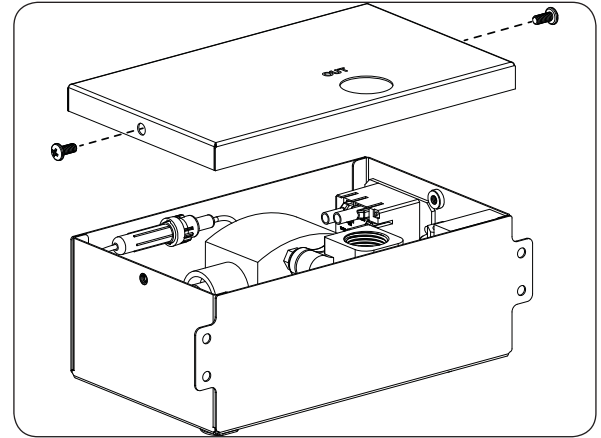


Fig. 47-2 Remove access panel of valve box

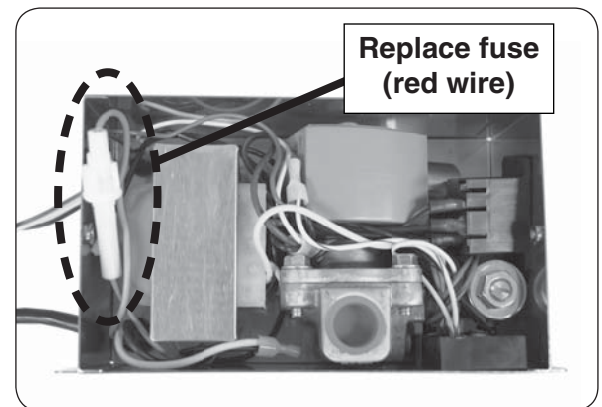


Fig. 47-3 Replace fuse

## TROUBLESHOOTING

If you have trouble with your unit, please use this list to identify the problem. By trying one or more of the solutions to the probable cause, you should be able to solve the problem. If this list does not address your present problem, or if you have other technical difficulties with your unit, please contact your local dealer or visit our web site at [www.rhpeterson.com](http://www.rhpeterson.com).

SYMPTOM	PROBABLE CAUSE	CORRECTIVE ACTION
<b>Burner will not turn on</b>	<ol style="list-style-type: none"> <li>1. Gas not reaching appliance</li> <li>2. Air in gas line</li> <li>3. No ignition at pilot</li> <li>4. Appliance is not receiving power</li> <li>5. Loose electrical connection</li> </ol>	<ol style="list-style-type: none"> <li>1. Check gas supply and gas shut-off valve.</li> <li>2. Purge air from gas line.</li> <li>3. See next page (Igniter Will Not Function symptom) for details.</li> <li>4. Check that power supply cord is properly plugged in. Check GFCI. Check building circuit breaker.</li> <li>5. Check all connections are secure in place.</li> </ol>
<b>Unit overheating or poor combustion</b>	<ol style="list-style-type: none"> <li>1. Vent openings/surrounding area blocked with debris</li> </ol>	<ol style="list-style-type: none"> <li>1. Clean vent openings and surrounding area of all obstructions.</li> </ol>
<b>Low flame</b>	<ol style="list-style-type: none"> <li>1. Low gas pressure</li> <li>2. Low gas pressure/flame (propane)</li> <li>3. Propane tank running low (if applicable)</li> </ol>	<ol style="list-style-type: none"> <li>1. Check gas pressure (Read E-F of PRE-INSTALLATION AND PREPARATION SAFETY GUIDELINES section, &amp; <u>check with local gas company</u>).</li> <li>2. Shut off all valves, including propane tank, and follow lighting instructions exactly. (See important note* below.)</li> <li>3. Fill tank completely.</li> </ol>
<b>Low flame or too high flame</b>	<ol style="list-style-type: none"> <li>1. Using natural-gas burner on propane gas or propane burner on natural gas</li> </ol>	<ol style="list-style-type: none"> <li>1. Ensure proper gas type. The gas supply used may not be the same as that stated on the unit rating plate. Shut down immediately to verify, and if necessary contact your local dealer. (The unit may be converted to the gas type of the gas supply, IF PERMITTED.)</li> </ol>
<b>Flame lifts off the burner assembly</b>	<ol style="list-style-type: none"> <li>1. Unit exposed to high-wind conditions</li> </ol>	<ol style="list-style-type: none"> <li>1. Ensure that the unit is installed in an area that is less susceptible to high wind conditions. <b>DO NOT operate in high-wind conditions.</b></li> </ol>
<b>Flame height drops when unit is in operation</b>	<ol style="list-style-type: none"> <li>1. Low gas pressure (due to improper gas supply line)</li> </ol>	<ol style="list-style-type: none"> <li>1. Check gas supply line and gas pressure (Read E-F of PRE-INSTALLATION AND PREPARATION SAFETY GUIDELINES section, &amp; <u>check with local gas company</u>).</li> </ol>
<b>Burner lights but will not stay lit</b>	<ol style="list-style-type: none"> <li>1. Low gas pressure</li> <li>2. Unit exposed to high-wind conditions</li> <li>3. Clogged burner ports</li> <li>4. Faulty valve or regulator</li> <li>5. Bad flame sensor</li> </ol>	<ol style="list-style-type: none"> <li>1. Check gas pressure (Read E-F of PRE-INSTALLATION AND PREPARATION SAFETY GUIDELINES section, &amp; <u>check with local gas company</u>).</li> <li>2. Ensure that the unit is installed in an area that is less susceptible to high wind conditions.</li> <li>3. Clean burner ports.</li> <li>4. Contact a qualified professional service technician and the local dealer.</li> <li>5. Check/replace pilot assembly.</li> </ol>

**Note:** \*Propane tanks are equipped with a safety shutdown device that may cause low or no gas/flame at the burners if operating and lighting instructions are not followed exactly. **If you suspect the propane tank safety shutoff is in effect:** 1) Shut off unit's valve. 2) Shut off tank valve. 3) Open and close unit's valve. 4) Open tank valve. 5) Follow the LIGHTING INSTRUCTIONS. Lighting instructions are located in your owner's manual and printed on the unit's label plate. Lighting instructions are located in the owner's manual. If the problem persists, continue troubleshooting, or contact your local dealer or distributor for assistance.



## TROUBLESHOOTING (cont.)

SYMPTOM	PROBABLE CAUSE	CORRECTIVE ACTION
<b>Burner flashback or flame burning out of orifice</b>	<ol style="list-style-type: none"> <li>1. Clogged burner ports</li> <li>2. Clogged burner orifice</li> </ol>	<ol style="list-style-type: none"> <li>1. Clean burner ports.</li> <li>2. Clean burner orifice.</li> </ol>
<b>Pilot will not ignite</b>	<ol style="list-style-type: none"> <li>1. Key valve in OFF position (if applicable)</li> <li>2. Obstruction in pilot gas supply or pilot gas-supply line is kinked</li> <li>3. Inadequate gas supply</li> <li>4. Air in line</li> <li>5. Pilot screen covered</li> </ol>	<ol style="list-style-type: none"> <li>1. Turn key valve to ON position. See LIGHTING INSTRUCTIONS for details.</li> <li>2. Clear out obstruction. Replace pilot gas-supply line if kinked.</li> <li>3. Have gas pressure checked by installer or gas supplier.</li> <li>4. Air should clear; attempt to relight.</li> <li>5. Ensure screen is clear of decorative media. See DECORATIVE MEDIA PLACEMENT section for details.</li> </ol>
<b>Igniter will not function</b>	<ol style="list-style-type: none"> <li>1. Loose wires</li> <li>2. Appliance is not receiving power</li> <li>3. Faulty pilot</li> <li>4. Faulty valve</li> <li>5. Faulty switch</li> <li>6. Faulty remote system (if equipped)</li> </ol>	<ol style="list-style-type: none"> <li>1. Check all wires are securely in place.</li> <li>2. Check that power supply cord is properly plugged in. Check GFCI. Check building circuit breaker.</li> <li>3. Check/replace pilot assembly.</li> <li>4. Check/replace valve box assembly.</li> <li>5. Check/replace switch.</li> <li>6. Check/replace remote system.</li> </ol>
<b>Pilot lights, but main burner will not</b>	<ol style="list-style-type: none"> <li>1. Wire leads are not connected to proper valve terminals or switch terminals not tight</li> <li>2. Loose wires</li> <li>3. No flame verification</li> <li>4. Faulty valve</li> </ol>	<ol style="list-style-type: none"> <li>1. Make sure all wire leads are tight and attached to proper terminals as illustrated in wiring diagram (see SPECIFICATIONS AND DIMENSIONS section).</li> <li>2. Check all wires are connected properly.</li> <li>3. Check/replace pilot assembly.</li> <li>4. Check/replace valve box assembly.</li> </ol>
<b>Remote receiver does not respond to remote transmitter</b>	<ol style="list-style-type: none"> <li>1. Receiver batteries dead</li> <li>2. Remote system not synced</li> <li>3. Remote receiver in incorrect position</li> <li>4. Loose wires</li> </ol>	<ol style="list-style-type: none"> <li>1. Check/replace batteries in remote receiver (see BATTERY REPLACEMENT section).</li> <li>2. See SYNCING THE REMOTE SYSTEM section to sync.</li> <li>3. Slide switch on receiver to REMOTE position. See LIGHTING INSTRUCTIONS - REMOTE LIGHTING for details.</li> <li>4. Check all wires are connected properly.</li> </ol>
<b>Remote receiver does not function at all, but master switch does</b>	<ol style="list-style-type: none"> <li>1. Box wire connections (connect to master switch) are reversed</li> </ol>	<ol style="list-style-type: none"> <li>1. Flip wire connections, ensuring yellow and blue wires are installed as illustrated in wiring diagram (see SPECIFICATIONS AND DIMENSIONS section).</li> </ol>
<b>Pilot lights, burner lights then turns off soon after</b>	<ol style="list-style-type: none"> <li>1. Valve recalibrating</li> <li>2. Inadequate gas supply</li> </ol>	<ol style="list-style-type: none"> <li>1. Burner should relight approximately 10 seconds after shut-down.</li> <li>2. Have gas pressure checked by installer or gas supplier.</li> </ol>

# WARRANTY

## AMERICAN FYRE DESIGNS BY R. H. PETERSON CO. LIMITED WARRANTY

Robert H. Peterson Co. ("RHP") warrants your American Fire Designs product to be free from defects in material and workmanship.

American Fyre Designs ("AFD") exterior Glass Fiber Reinforced Concrete (GFRC) fire features ("products") and burners are warranted for **THREE (3) YEARS**.

All AFD valves, electrical components, accessories and controls are warranted for **ONE (1) YEAR** (excluding batteries, wind guards and screens).

This warranty **does not** apply to: product damage caused by burning wood or any fuel other than natural gas or propane; or damage or discoloration to product used in high wind conditions.

### A COPY OF YOUR SALES SLIP FOR PROOF OF PURCHASE IS REQUIRED

This warranty applies to the original purchaser for products which are installed in the United States or Canada and which are operated and maintained as intended for single family residential usage. This warranty is valid only with proof of purchase, shall commence on the date of purchase, and shall terminate (both as to original and any replacement products) on the anniversary date of the original purchase of the product stated on the above schedules.

This warranty covers defects in material and workmanship. This warranty **does not** cover parts which become defective as a result of negligence, misuse, use not in compliance with the Owner's Manual/Installation Instructions, accidental damage, improper handling, improper storage, improper installation, **lack of required routine maintenance** (as specified in the Owner's Manual/Installation Instructions), electrical damage, local gas impurities or failure to protect against combustibles. Product must be installed (and gas must be connected) as specified in the Owner's Manual/Installation Instructions by a **qualified professional installer**. Modifications to products which are not specifically authorized will void this warranty. Accessories, parts, valves, remotes, etc. when used must be Peterson products or this warranty is void. Warranted items will be repaired or replaced at Peterson's sole discretion. This warranty **does not** apply to rust, corrosion, oxidation, or discoloration unless the affected part becomes inoperable.

This warranty **does not** cover labor or labor related charges, except as provided by separate specific written programs from the Peterson Co. All repair work must be performed by a qualified professional service person and requires prior approval of Peterson.

Peterson may require the defective product or part to be returned to the factory to determine the cause of failure. Peterson will pay freight charges if the product or part is determined to be defective. This warranty does not cover breakage in shipment from our (Independent) distributor to its customer if the damage is determined to have occurred during that shipment.

This warranty specifically excludes liability for **indirect, incidental**, or consequential damages. Some states and provinces do not allow the exclusion or limitation of incidental or consequential damages, so the above exclusion may not apply to you. This warranty gives you specified legal rights, and you may have other rights that vary from state to state or province.

For additional information regarding this warranty, or to place a warranty claim, contact the R. H. Peterson dealer where the product was purchased.

When contacting your Peterson dealer or the R. H. Peterson Co., please provide the following information:

- Your name, address, telephone number, e-mail
- Sales receipt showing where purchased and date purchased
- Model number, serial number of product, date code
- Relevant information: installer, additions, repairs, when defect was first noted

**TO REGISTER YOUR PRODUCT ONLINE GO TO: WWW.RHPETERSON.COM,  
AND CLICK ON PRODUCT REGISTRATION. THANK YOU FOR YOUR PURCHASE.**

<b>Quality Check</b>			<b>Date:</b> _____		
<b>Burner Orifice</b>	<b>Nat.</b>	<b>L.P.</b>	<b>Leak Test:</b> _____	<b>Model#:</b>	_____
<b>Main:</b>	_____	_____	<b>Burn Test:</b> _____	<b>Serial#:</b>	_____
			<b>Gas Type:</b> <u>Nat. / L.P.</u>	<b>Inspector:</b>	_____